



TED TODD

FINE WOOD FLOORS

INSTALLATION GUIDE



Plank



*Narrow
Plank*



*Wide
Plank*



*Extra-Wide
Plank*



*Super-Wide
Plank*



Herringbone



Chevron



*Chantilly
panel*



*Parquet de
Versailles*



*Parquet de
Chevney*



*Circular
design panel*



*Parquet de
Ardeche*



*8 tile
parquet de
versailles*



Shrawley



Avery



*Continuous
Versailles*



*Wall
Cladding*

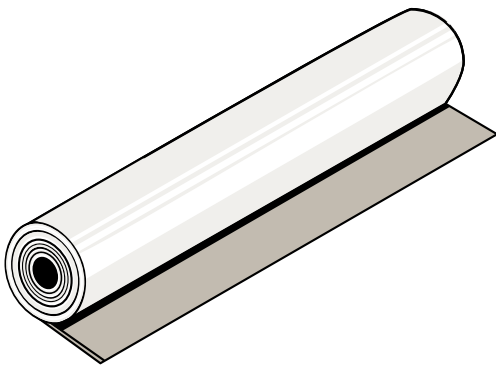


INSTALLATION OF: HERRINGBONE - UNIVERSAL BOND

UNIVERSAL BOND			
Pack Size	Thickness	Sound Resistance	Under-Floor heating
10m ²	3mm	up to 23db	Compatible
10m ²	5mm	up to 26db	Not Compatible

About Universal Bond

Universal Bond 3mm/5mm high-grab self-adhesive underlay which reduces installation times and sub-floor preparation times are significantly reduced. Ideal for access flooring applications. It is extremely stable, durable and non-collapsing. Perfect for when bonded solution is needed but with the ability to be lifted later. Quick to fit, easy to work with.



- Rapid installation, moisture barrier foil.
- 100% recycled high density rubber crumb.
- In a 20m roll this PET foil has a huge vapour resistance SD value of 150 - much higher than any similar thickness products.
- Perfect for use with underlays with no built-in moisture barriers.
- Ideal for use on indoor sites as a dust or paint protection cover.
- 23dB impact sound resistance noise rating (3mm), 26dB (5mm).
- SR1 level floor required for herringbone.
- Extremely stable, durable and non-collapsing.
- 3mm suitable for underfloor heating.



Herringbone



Double Herringbone



Basketweave

INSTALLATION OF: HERRINGBONE - UNIVERSAL BOND

- 1. Create a crown line panel for the herringbone pattern, bonding boards together by gluing the tongue and groove joints with a suitable adhesive. Bond together 6 boards each side of the centre line and allow time for the adhesive to fully set.

This will create the starting point for the herringbone design installation on Universal Bond. While the adhesive is curing in the crown line panel, install Universal Bond perpendicular to the direction of the crown line throughout the area to be installed.

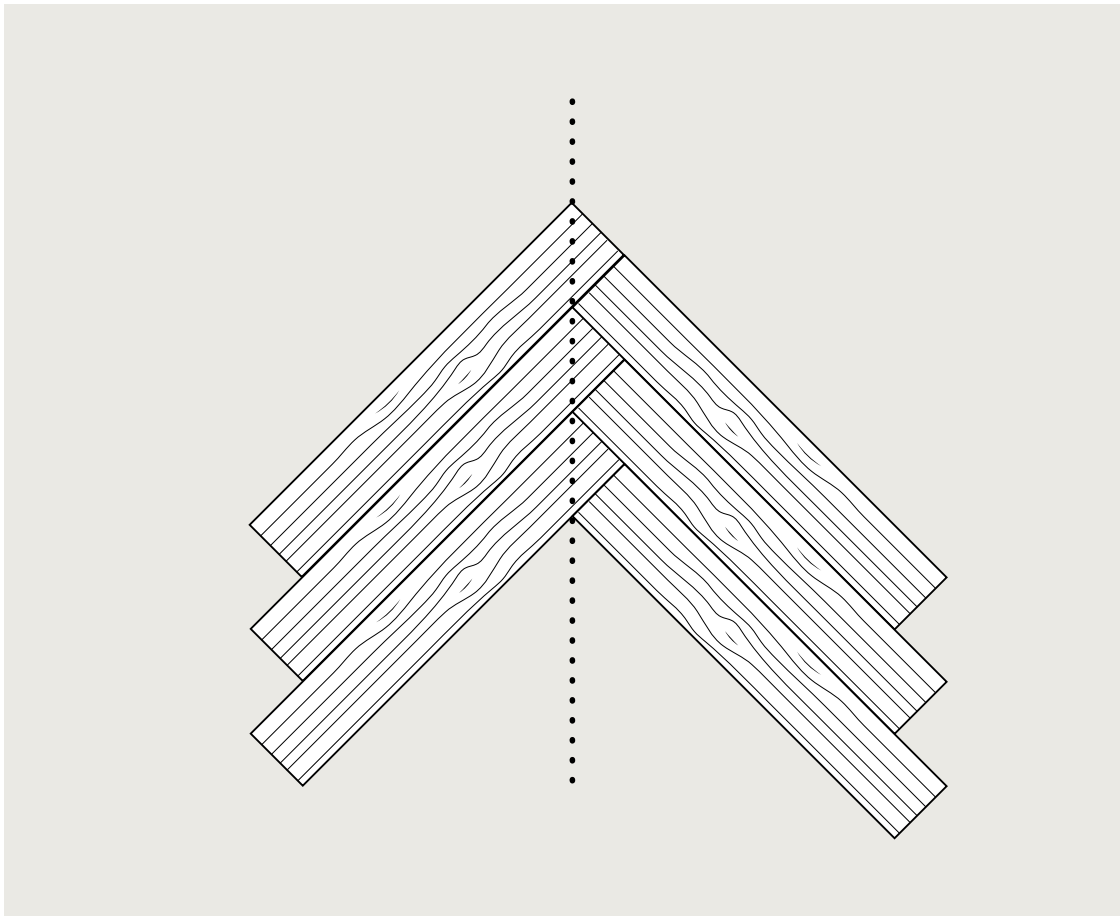


Figure 1: Glue together the tongue and groove of 6 boards each side of the centre line to act as a starting point.



Herringbone



Double Herringbone



Basketweave

INSTALLATION OF: HERRINGBONE - UNIVERSAL BOND

- 2. Once the Universal Bond product is laid throughout the area to be installed, carefully cut a centre line through the release film (see dotted line below), which will form the location point for the crown line panel.

Avoid cutting through the scrim below the adhesive layer as this will compromise the strength of the Universal Bond underlay system. Next pull back the release film to expose about 150mm of the adhesive layer on each side of the centre line.

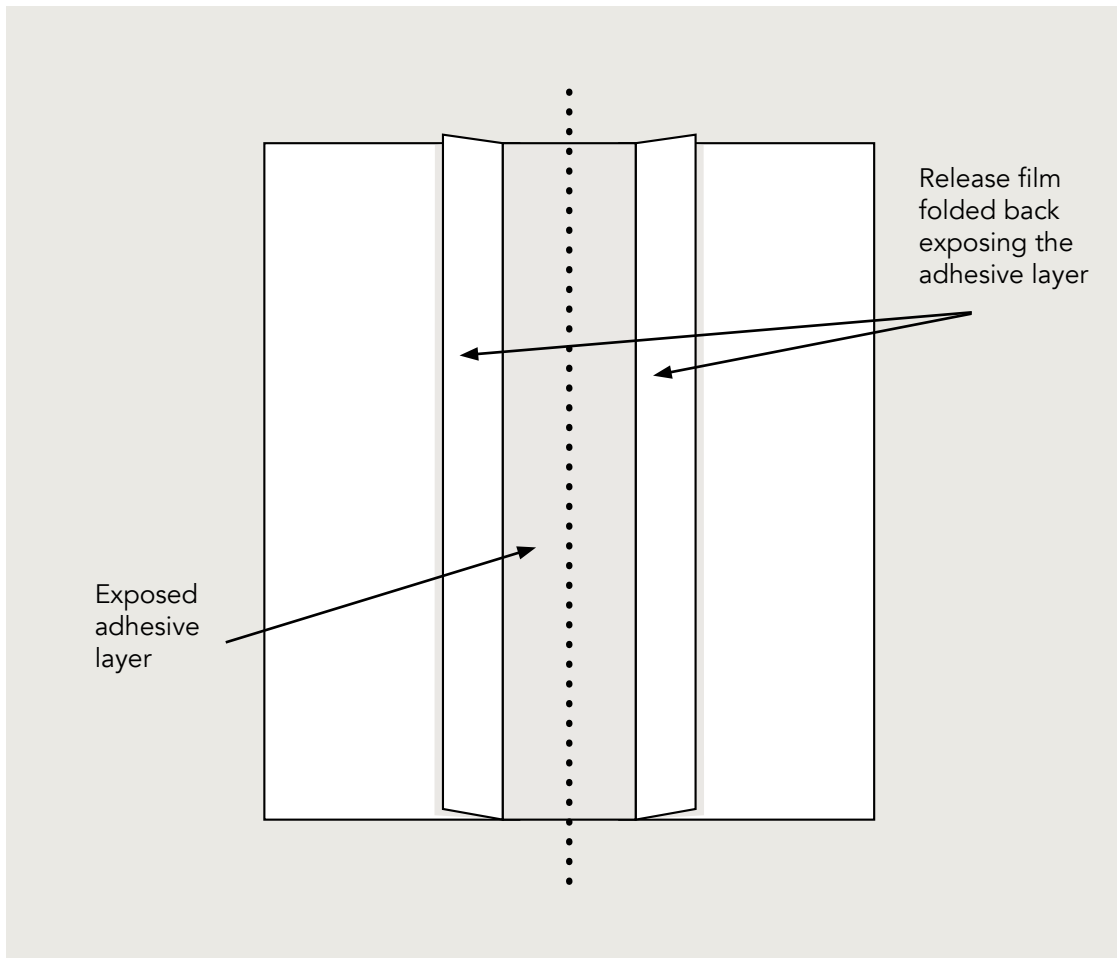


Figure 2: Next cut the release paper down the centre and pull back the release film to expose about 150mm of the adhesive layer on each side of the centre line.



Herringbone



Double Herringbone



Basketweave

INSTALLATION OF: HERRINGBONE - UNIVERSAL BOND

- 3. Set the crown line panel onto the exposed adhesive layer of the Universal Bond product. Once located accurately, apply good pressure to the boards to ensure that the pressure sensitive adhesive has been fully activated.

This crown line can be continued directly on the adhesive by using an atomiser to spray a water mist over the adhesive which momentarily deactivates the adhesive grab. Install each board (see arrow A) over this area, the deactivated adhesive will allow for the positioning of the boards, and press down firmly once the located correctly to secure in position.

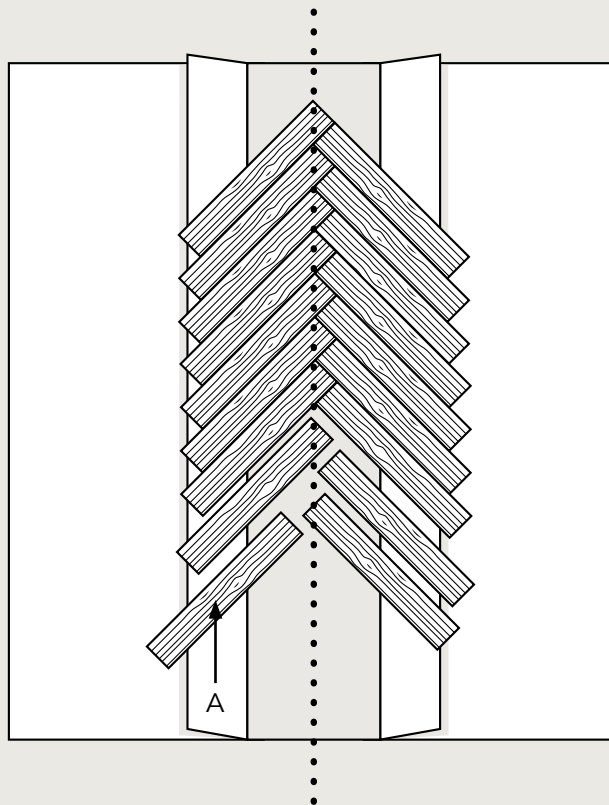


Figure 3: Secure the crown to the centre line, directly onto the exposed adhesive. Continue to build out onto the adhesive layer.



Herringbone



Double Herringbone



Basketweave

INSTALLATION OF: HERRINGBONE - UNIVERSAL BOND

- 4. On completion of the crown line continue to lay the boards by installing on the release film (see arrow B) and once correctly located gently pull the release film (see arrow C) from under the boards to secure in place.

Always press each board firmly into the exposed adhesive to ensure good adhesion and to avoid boards moving out of place.

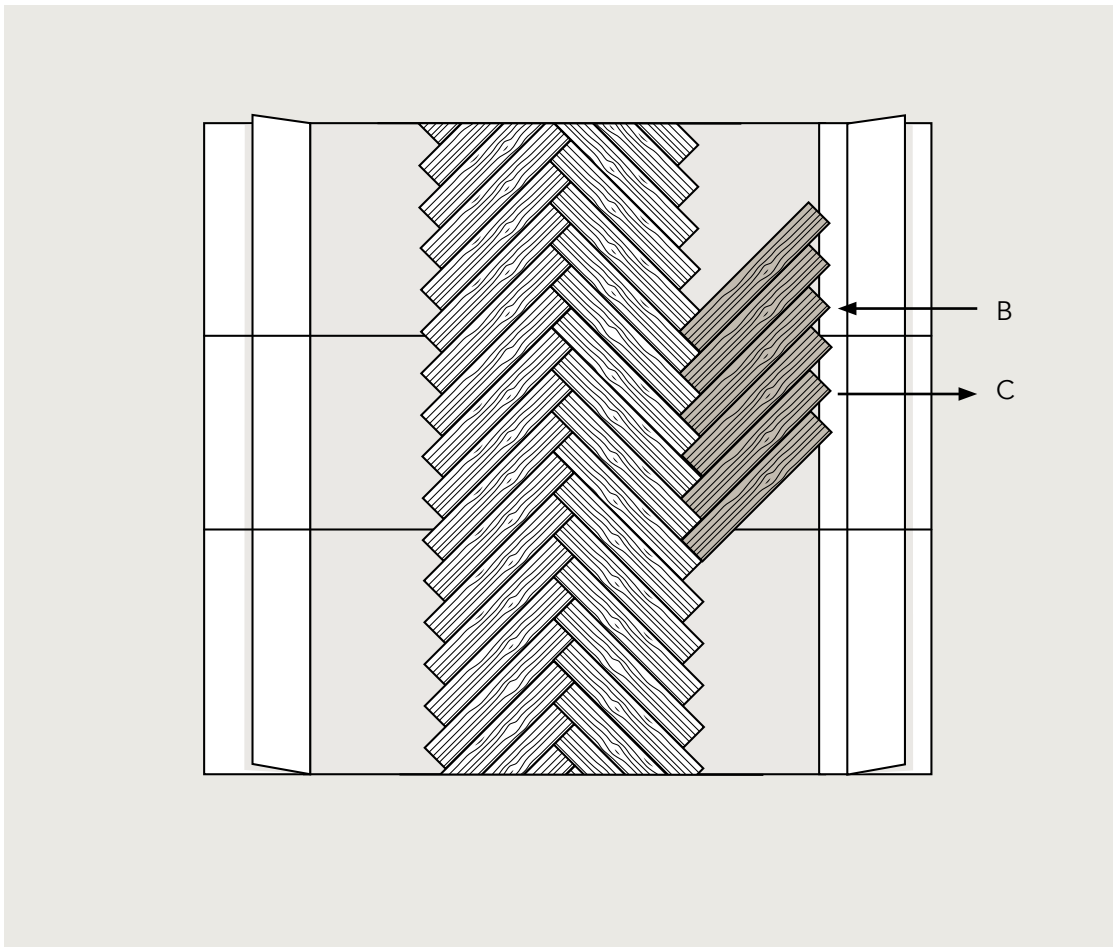


Figure 4: On completion of the crown line continue to lay the boards by installing on the release film



Herringbone



Double Herringbone



Basketweave