



WOODWORKS

BY TED TODD

INSTALLATION GUIDE



Plank



*Narrow
Plank*



*Wide
Plank*



*Extra-Wide
Plank*



*Super-Wide
Plank*



Herringbone



Chevron



*Chantilly
panel*



*Parquet de
Versailles*



*Parquet de
Chevney*



*Circular
design panel*



*Parquet de
Ardeche*



*8 tile
parquet de
versailles*



Shrawley



Avery



*Continuous
Versailles*



*Wall
Cladding*



CONTENTS

Chapter 1

Guidelines for Site Conditions

1A Site Planning

1B Acclimatisation

**1C Moisture testing and
vapour barriers for sub floors**

Page 4 - 19



Plank

Chapter 2

Guidelines for Sub Floors

Page 20 - 26

Chapter 3

**Installation of Planks
fully bonded**

Page 27 - 31



Narrow
Plank

Chapter 4

**Installation of planks
floating method**

Page 32 - 37



Wide
Plank

Chapter 5

**Installation of Planks
Self-Adhesive System Universal Bond**

Page 38 - 46



Extra-Wide
Plank

Chapter 6

**Installation of Planks
Nail down**

Page 47 - 52

Chapter 7

**Installation of Herringbone
Fully Bonded**

Page 53 - 63



Super-Wide
Plank



CONTENTS

Chapter 8

**Installation of Herringbone
Self-Adhesive System Universal Bond** Page 64 - 68

Chapter 9

**Installation of Chevrons
Fully Bonded** Page 69 - 76

Chapter 10

**Installation of Chevrons
Self-Adhesive System Universal Bond** Page 77 - 81

Chapter 11

**Installation of Design Panels
Fully Bonded** Page 82 - 92

Chapter 12

**Installation of Continuous Patterns
Fully Bonded** Page 93 - 99

Chapter 13

Guidelines for Underfloor heating (UFH) Page 100 - 109

Chapter 14

Installation of Wall panelling Page 110 - 115

Chapter 15

**Guidelines for Floor Care
and Deep Cleaning** Page 116 - 121

Chapter 16

**Guidelines for
Resealing and Overcoating** Page 122 - 125



Plank



Narrow
Plank



Wide
Plank

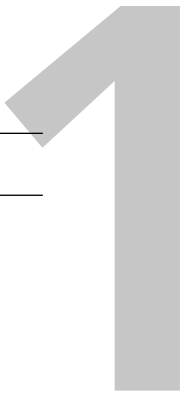


Extra-Wide
Plank



Super-Wide
Plank





GUIDELINES FOR: SITE CONDITIONS

Chapter 1 covers the very basic factors that need to be considered for the site of any wood floor installation. Whether the project is a simple renovation of a single room or a whole new building, the same basic rules apply.

This chapter is divided into 3 sections:

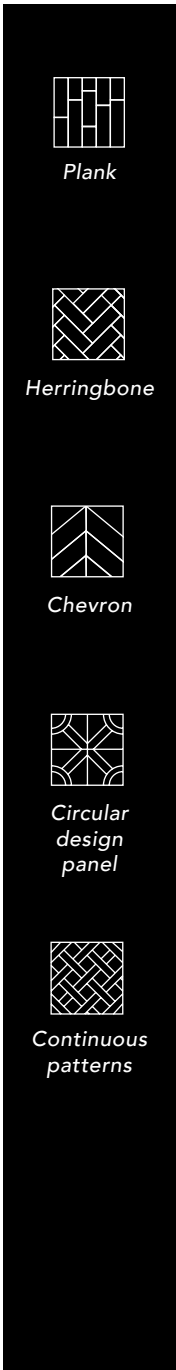
- 1A Site planning, Site Environment and Other Trades
- 1B Acclimatisation
- 1C Sub Floor Moisture Testing and Vapour Barriers.

SITE PLANNING, SITE ENVIRONMENT AND OTHER TRADES

For a successful wood floor installation, getting the site conditions correct is a key element. Good planning from the outset, timing the wood floor installation to be one of the last elements of the fit-out, and care and attention to ensure that the site, sub-floors and services are compatible with the planned installation will go a long way to achieving this.

The following sections offer guidelines to help:

- 1A.1 Contract planning stage, consultation and monitoring.
- 1A.2 Environmental site conditions. (Humidity, temperature)
- 1A.3 Acclimatisation
- 1A.4 Installation of services (water, heating, electrical)
- 1A.5 Physical site conditions, sub-floors and preparedness, cleanliness.
- 1A.6 Other trades.
- 1A.7 Site care of your wood floor, after installation before final handover.
- 1A.8 Summary.
- 1A.9 FAQ's.





GUIDELINES FOR: SITE CONDITIONS

1A.1 The contract planning stage, consultation and monitoring.

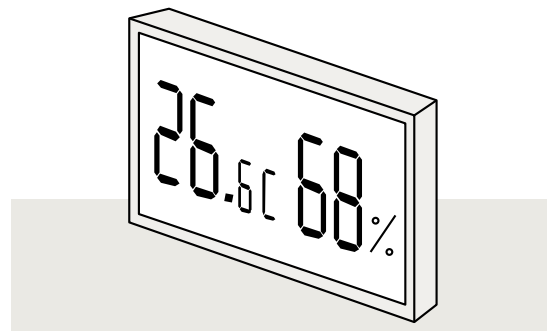
In order for your wood flooring to be correctly installed under appropriate conditions, all parties should have a clear understanding of the requirements of the project (and of the implications for all concerned). To ensure that this is achieved, and for timescales to be met, there should be wide consultation between all parties involved in the project, including sub-contractors and materials suppliers. This consultation should start early in the design stage but is necessary throughout the contract, especially if requirements or the time scale change and as new contract work is initiated. It is important, on a large project, that the timescales for the different elements mesh together and ensure that the wood floor installation is ideally one of the last jobs to be completed.

See BS8201 for full details:

- Section 6- Exchange of information,
- Section 5- Care on site,
- Section 7 – Time schedules.

1A.2 Environmental site conditions. (Humidity, temperature)

- Evaluate the jobsite for potential problems before installation begins, and before the wood flooring is delivered.
- Do not deliver wood flooring to the jobsite or install wood flooring until the building is enclosed and the humidity and temperature can be maintained between 16-24°C and 45% to 65% Rh.



Optimum humidity and temperature should be maintained between 16-24°C and 45% to 65% Rh.

- Do not deliver wood flooring to site until the site is able to accommodate the necessary acclimatisation conditions for the incoming wood flooring. (see section 1.3 below)



Plank



Herringbone



Chevron



Circular design panel



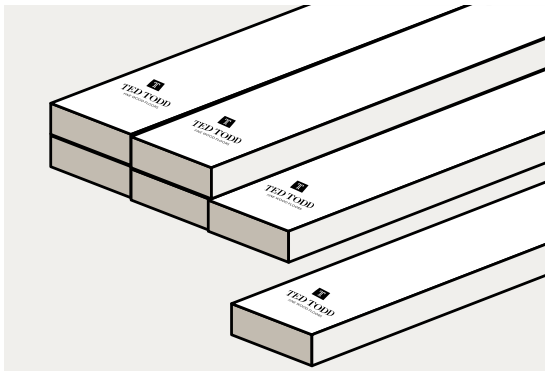
Continuous patterns





GUIDELINES FOR: SITE CONDITIONS

- If heating and/or air-conditioning is in operating condition, it needs to be operating. If it is not possible for the permanent heating and/or air-conditioning system to be operating before, during and after installation, a temporary heating and/or dehumidification system that mimics normal temperature and humidity conditions can enable the installation to proceed until the permanent heating system is operating.
- Moisture Testing. New concrete-type sub floors can significantly increase the relative humidity of a building, hence:
- Subfloors (wood or concrete) should be checked by an appropriate method for establishing moisture content. (See BS8201, Annex A).
- Average subfloor moisture content should be within the range as specified in Chapter 2.



Stack Flooring packs flat on the floor

1A.3 Acclimatisation.

Before bringing the timber onto site ensure the requirements have been met for

- Jobsite Conditions (1.1 above)
- Moisture Testing (1.2 above and chapter 2, 16-24°C and Rh 45% to 65%)
- Ted Todd recommends that all floors are acclimatised within their packs for 2 to 3 days in the room to be installed to allow the temperature of the floor to equalize with its environment.
- Ensure that the building is enclosed with all walls, windows and doors in place.
- Verify that the building is maintained at normal living conditions for temperature and humidity. (16-24°C and Rh 45% to 65%) Where building codes allow, permanent heating and/or air-conditioning systems should be operating at least five days preceding installation to promote proper acclimatisation.
- Flooring should be stacked flat on the floor.
- If the delivery is for more than one room the order should be broken down into the individual room quantities and stored in the respective rooms.
- Extra acclimatisation may be required when using underfloor heating. See Chapter 13.



Plank



Herringbone



Chevron



Circular design panel



Continuous patterns





GUIDELINES FOR: SITE CONDITIONS

1A.4 Installation of services (water, heating, electrical)

- Ensure any water pipes, if present in the sub floor, are at an adequate level or insulated so as not to compromise the installation and effect the timber after installation. Failure to insulate can cause localized shrinkage of the floor. Any leaks will cause expansion of the floorboards.
- Where hot water or steam pipes (other than those for underfloor heating purposes) pass under the flooring, they should be lagged or insulated to reduce localized shrinkage of the flooring in that area, and they should be fixed at a sufficient depth to avoid possible damage from fixings for the new flooring. Any insulation materials used should be able to accommodate thermal movement of pipes.
- Ensure electrical wires, if present in the sub floor, are at an adequate level to not interfere with the installation and at a sufficient depth to avoid possible damage from the fixings of the new flooring.

1A.5 Physical site conditions, Sub-floors and preparedness, cleanliness.

- Wood flooring ideally should be one of the last elements completed in the construction project and wood flooring should only be brought to site when the job site requirements have been met.
- Humidity and temperature conditions within the building must be 16-24°C and Rh 45% to 65%)
- Subfloors (wood or concrete) should be checked by an appropriate method for establishing moisture content. Average subfloor moisture content should be within the range as specified in Chapter 2 - Moisture Testing.
- Entrance Barrier Matting Zone. At the design stage, consideration must be given to the use of barrier matting especially in any entrances open to the outside.
- Wood shavings and other building debris should be cleaned away and prevented from accumulating under a floor as this can lead to a fire hazard.
- External Surface drainage should direct water away from the building.



Plank



Herringbone



Chevron



Circular design panel



Continuous patterns





GUIDELINES FOR: SITE CONDITIONS

- Basements and crawl spaces must be dry. If power washing is required in the basement, do so before wood flooring is installed and allow subfloor and basement to dry before installing wood flooring.
- Any crawl space should be a minimum of 457mm from ground to underside of joists.
- Crawl space earth (or thin concrete slab) should be covered 100% by a vapour barrier of polyethylene (minimum 1000 gauge) or other recommended puncture-resistant membrane. Vapour retarder joints should be well-overlapped and taped and be extended and sealed at least 150mm up the stem wall.
- When venting under a sub-floor is required. A venting area is achieved normally by using air bricks, of at least 1500mm per linear metre run of flooring should be allowed on each end to ensure adequate airflow.

Note the ground level at the exterior of the building or any exterior feature is more than 75mm above the floor then the floor must be treated as below ground level, correct moisture barriers should be used and only engineered flooring should be installed.

- Where the minimum jobsite conditions are present, the flooring can be delivered and stored in the rooms in which it will be installed. See section 1.3 above, Acclimatisation.

1A.6 Other trades.

- Do not deliver wood flooring to the jobsite or install wood flooring until all concrete, masonry, plastering, drywall, texturing and painting primer coats are completed and the humidity has been checked and within guidelines.
- If any trade work of any description is continuing on site, ensure that adequate floor protective barriers are used to prevent any damage, spills or dust reaching the surface of the wood floor.
- Plaster dust, paint and sanding dust are the biggest contaminators of finished wood floors, which are installed before all other trades are completed.

1A.7 Site care of your wood floor, during and after installation, and before final building handover.

- Limit floor traffic on finished flooring.
- During installation of the floor and before final handover, the installation should be checked and inspected according to BS8201-2011.
- If the floor is regularly inspected during the installation, then any potential issues may be identified and rectified rather than waiting until the installation is complete.
- Skirting or scotia may be installed and finished after the flooring installation.
- Preferably all finished wall coverings and painting should be completed before the flooring installation.



Plank



Herringbone



Chevron



Circular design panel



Continuous patterns





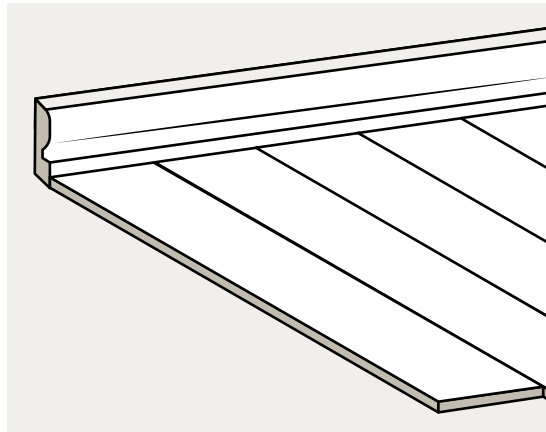
GUIDELINES FOR: SITE CONDITIONS

- After installation, if the floor is to be protectively covered, the floor should be completely covered to prevent light-sensitive areas from changing colour.

A common, proprietary, purpose-made floor protection product, such as Correx, is a good choice. Any covering should be taped, using a low-adhesion tape, to base or skirting and taped over a wide overlap. Avoid any tape touching the finished floor surface as some adhesives may damage the floor's surface finish.

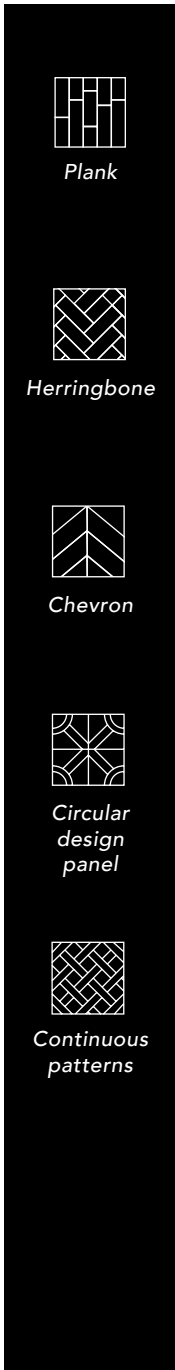
- Floors should be inspected from a normal viewing position either standing or seated. When viewing the floor, only those features which are immediately obvious to any independent party should be considered as potential issues.

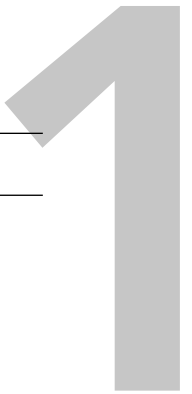
- Light-source colour can distort perceived colour / tonal variation. LED light source temperature has a big impact on perceived colour, especially sources with a temperature colour in excess of 4000K.
- Low CRI (Colour Rendering Index) light sources also distorts colour perception.
- The angle of light on the floor and surrounds can also affect appearance, e.g. between skirting and the installed floor. These factors should all be considered during inspection.



Skirting or scotia may be installed and finished after the flooring installation.

NOTE: Careful positioning of backlighting or unusual viewing angles (crouching or kneeling, etc.) would not be considered reasonable criteria for identifying a visual defect. The overall appearance of the floor should be consistent (product and installation) unless intentional as part of the product design or pattern.





GUIDELINES FOR: SITE CONDITIONS

1A.8 Summary.

- Check planning and integration with other trades, agree specification, site preparation to correct conditions.
- Building enclosed with windows and doors fitted.
- Other trades largely completed. Sub-floors dry. Site clean. Water, heating, power and other services installed correctly to allow wood floor installation.
- Temperature and humidity 16 to 24°C and 45% to 65% Rh. allowing correct acclimatisation
- Correct care of floor and inspection during the installation.
- Care and protection of floor after installation.



Plank



Herringbone



Chevron



*Circular
design
panel*



*Continuous
patterns*





GUIDELINES FOR: SITE CONDITIONS

1A.9 Frequently asked questions.

Is all of the above really necessary?

The success of a good wood floor installation depends upon many factors. In instances where things go wrong the problems will almost certainly be traceable back to failure to correctly follow some of the guidelines listed above. Even in apparently simple installation projects all of the above points must be checked to ensure compliance.

What happens if the crawl space tapers and falls below the recommended 457mm?

The most important factor is to ensure that the crawl space has adequate ventilation to prevent build up of moisture and that the underside of the wood floor is adequately protected from excessive moisture changes by a suitable moisture barrier.

What happens if the job-site doesn't meet the recommended conditions, e.g. if the windows aren't fitted ?

The recommendation should be to delay the arrival of the Wood Floor and don't start the work. Work together with the other trades and project manager to synchronise and re-schedule the optimum timing for when the job-site conditions will be as per the guidelines. Wood flooring can be expensive and can be damaged if the site conditions aren't correct.

What happens if a fault appears with the wood flooring during installation?

The installation should stop whilst the cause of the fault is identified and corrected. Always refer back to the specification of the wood floor to ensure it has been supplied correctly. Is it a visual grading issue, or specific planks of floor that are out of dimension? Maybe the site conditions (Temperature, ambient Rh and sub-floor moisture%) or sub-floor preparation are affecting the wood floor. Remember that often the cost of installing the wood floor is greater than the cost of the wood itself, so to continue an installation if something is not right is compounding any problem. Also remember that the flooring installer is the final inspector of the flooring and so any perceived defects should be identified and removed before installation and never actually installed in prominent areas of the floor.

RAS 14/06/24



Plank



Herringbone



Chevron

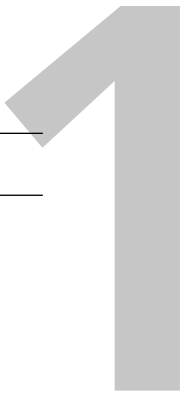


Circular design panel



Continuous patterns





GUIDELINES FOR: SITE CONDITIONS

1B.1 Site Checks

Before bringing the wood floor onto site ensure the requirements have been met for

- Jobsite Conditions (Chapter 1A)
- Moisture Testing (Chapter 1C)

1B.2 Acclimatisation

Ted Todd recommends that all floors are acclimatised within their packs for 2 to 3 days in the room to be installed to allow the temperature of the floor to equalize with its environment ensuring job site conditions are met.

Ensure that the building is enclosed, with all windows and external doors in place so that the internal humidity and air temperatures may be controlled correctly.

Verify that the building is maintained at normal living conditions for temperature and humidity. This should be controlled at 16-24°C and Rh 45% to 65%.

Where building codes allow, permanent heating and/or air-conditioning systems should be operating at least five days preceding installation to promote proper acclimatisation.

If it is not possible for the permanent heating and/or air-conditioning system to be operating before, during and after installation, a temporary heating and/or dehumidification system that will mimic normal temperature and humidity conditions can enable the installation to proceed until the permanent heating and/or air-conditioning system is operating.

Packs should be stacked flat on the floor.

If the delivery is for more than one room the order should be broken down into the individual room quantities and stored in the respective rooms.

Extra acclimatisation may be required when using underfloor heating. See Chapter 13.



Plank



Herringbone



Chevron

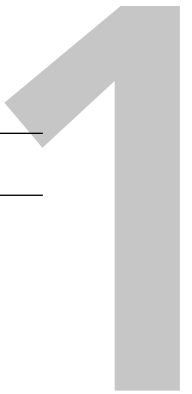


Circular design panel



Continuous patterns





GUIDELINES FOR: SITE CONDITIONS

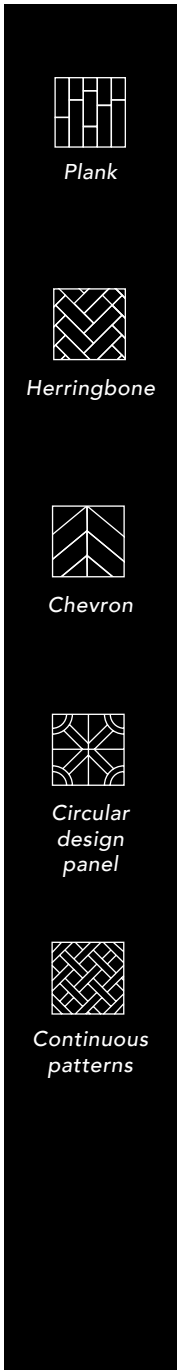
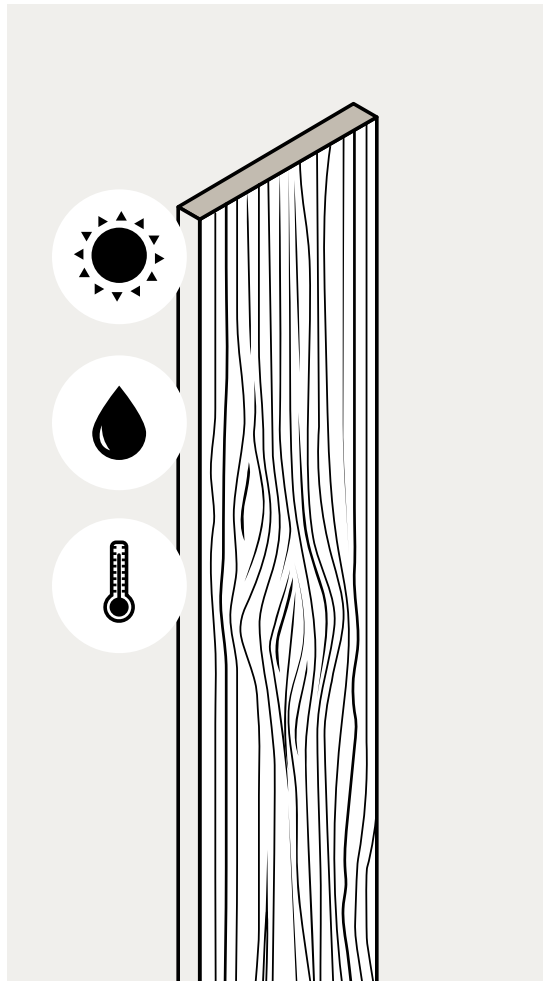
1.B.3 FAQ's

Is all of the above really necessary?

The success of a good wood floor installation depends upon many factors. In instances where things go wrong, the problems will almost certainly be traceable back to failure to correctly follow some of the guidelines listed above. Even in apparently simple installation projects all of the above points must be checked to ensure compliance.

Why does wood flooring need acclimatisation?

Wood flooring is a natural product and a feature of this is that wood changes dimension with any change in moisture or humidity. Temperature affects the moisture content of wood and so also affects the dimensions. Wood will mainly expand across the grain as moisture increases and it also shrinks if the moisture decreases. So, for a good quality wood floor installation it is helpful if all of the wood is at the same moisture content so all of the pieces will have the same dimensions (width), and the floor can be installed without gaps opening between the pieces.





GUIDELINES FOR: SITE CONDITIONS

Below are some simple guidelines regarding sub floors and moisture testing.

Wood flooring is moisture-sensitive and so before installing wood flooring over any concrete or screeded base, it should be ensured not only that the subfloor is constructed to prevent moisture from reaching it from the ground, but also that sufficient of the water used in the construction has dissipated.

Likewise, wood flooring which is to be floated or nailed to a batten system or other wood-based subfloor should be protected from excessive relative humidity from above and below the wood floor.

It is imperative all sub floors are tested for moisture prior to bringing the flooring into the property. It is recommended that measurements are taken and recorded. They should include: the date, relative humidity, ambient temperature, type of meter, along with a plan of test locations.

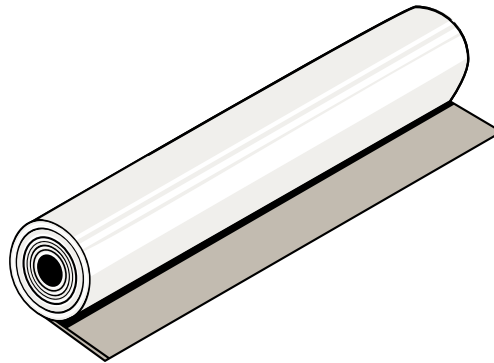
NOTE: All test give a result when completed, they give you the ability to decide whether to start the Job. In general they give you the ability to start or not start a job. These tests do not give a permanent condition of your substrate merely an "at the time the test was performed" indication.

Recommended moisture targets are:

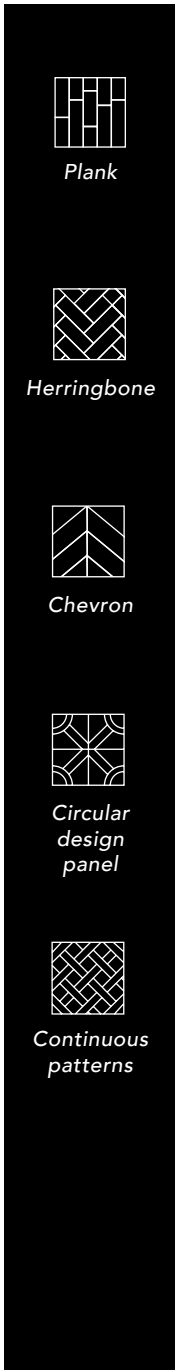
- Concrete Screed should not exceed 2%
- Gypsum / Anhydrite screed should not exceed 0.5% (0.3% with underfloor heating) and always measured after removal of laitance layers.
- Wood sub floors maximum 12% and no greater than 2% of the moisture content of the wood floor.

To reduce the potential of moisture-related problems, Ted Todd recommends the use of vapour barriers with installations.

For a more comprehensive set of guidelines regarding elimination of construction moisture, please refer to BS8201- 2011, section 12.4.6 .



Moisture barriers are available in several types, some standalone and some built into underlay. To see the selection available visit <https://www.tedtodd.co.uk/accessories/>





GUIDELINES FOR: SITE CONDITIONS

1C.1 Wood Subfloors

Wood subfloors can take the form of wooden battens or joists to which the wood floor is usually nailed, or in a sheet format using typically OSB or plywood, to which the wood floor may be floated, glued-down or nailed down.

1C.1.1 Moisture Testing of the wood subfloor.

Test for moisture using a correctly calibrated electrical resistance moisture meter, designed for wood, and operated in accordance with the manufacturer's instructions.

Test for moisture of the wood subfloor at several locations in the room, a minimum of 1 point per square meters averaging the results but paying attention to areas with any high readings. In small rooms (less than 20m²) a minimum of 5 readings should be taken.

The target moisture content of a wood sub floor should not exceed 12% or be greater than 2% of the moisture content of the floor.

A high reading in one area will indicate a problem that must be corrected. Pay special attention to exterior walls and areas of plumbing.

1C.1.2 Vapour Barriers for wood subfloors

For installations where the floor is to be nailed to wooden joists or battens, Ted Todd recommend using Sisalkraft 728 Builders paper as an effective vapour barrier below the floor.

For floating installations using a sheet-type wood subfloor, the vapour barrier should be made using one of the Ted Todd professional underlays with taped seams, installed between the floor and the sheet subfloor. (See chapter 4 for choice of underlay.)

For installations where the wood floor is to be glued (fully bonded) to the sheet subfloor a suitable vapour barrier or concrete primer/sealer should be installed under the sheet subfloor - 1 coat of Primerfast.

The vapour retarder underlays have some extra benefits in that they eliminate wood-on-wood contact, planks slide more easily when positioning, they minimise the impact of seasonal humidity change and may reduce dust and noise levels.



Plank



Herringbone



Chevron



Circular design panel



Continuous patterns





GUIDELINES FOR: SITE CONDITIONS

1C.2 Concrete Slabs and Screeds

1C.2.1(a) Types of Moisture tests for concrete screed

There are several types of tests for measuring the moisture content of a concrete screed:

- Electrical impedance concrete moisture meters, such as the Tramex Concrete Encounter, detects and evaluates the moisture conditions within the slab or screed by measuring the electrical impedance. This is a non-destructive, very quick, surface test.
- Calcium Carbide Test. This involves drilling a small hole in the screed and inserting a small amount of calcium carbide powder. The powder reacts with the moisture in the screed to produce acetylene gas, which is measured using a pressure gauge. This is destructive, quick and very accurate test.
- Relative Humidity Air Hygrometer Test: (NB, not to be confused with the Relative Humidity of the ambient atmosphere in the room) This is the method recommended by the British Standards. This involves the measurement of the moisture released by the screed into a sealed area over a time span of 72 hours (this is to reach equilibrium with concrete substrate). This type of test is non-destructive, slow but very accurate.
- Each test has its advantages and disadvantages. British Standards 8201:2011 recommends using Relative Humidity testing of concrete sub floors.-

However to comply with requirements set by the installation products. Ted Todd recommends testing using the Calcium Carbide method.

1C.2.1(b) Types of Moisture tests for Anhydrite or Gypsum screed.

- Tests similar to those above can also apply to Anhydrite or Gypsum screeds but note it is necessary to ensure the correct calibration of the testing apparatus and the different moisture targets.

1C.2.2 Moisture Testing.

Recommended moisture targets are:

- Concrete Screed should not exceed 2% MC, or 65% RH method or 75% RH if incorporating adequate vapour barrier layers.
- Gypsum / Anhydrite screed should not exceed 0.5% (0.3% with underfloor heating) and always measured after removal of laitance layers.

Before moisture testing begins, the concrete screed must be a MINIMUM of 30 days old. As a very rough guideline, for up to 40mm thickness allow drying time 1 day per 1mm of new concrete screed, (minimum 30 days) and an additional 2 days per mm above 40mm.



Plank



Herringbone



Chevron



Circular design panel



Continuous patterns





GUIDELINES FOR: SITE CONDITIONS

For Anhydrite, Calcium Sulphate or similar screeds the guidelines as above should be followed but the laitance (the surface layer after curing) should be removed as soon as possible after curing to allow the moisture to escape. The laitance can be removed with specialist machinery by either light sanding or shot blasting.

Select test locations to provide information about moisture distribution across the entire concrete floor slab. For slabs on ground and below ground, include a test location within 1 metre of each exterior wall.

Perform ten tests for the first 93m² and one test for every additional 93m² thereafter. The actual test area should be clean and free of all foreign substances. Use approved work practices for removal of all existing flooring materials and debris.

A high reading in one area indicates a problem that must be corrected. Pay special attention to exterior walls and plumbing.

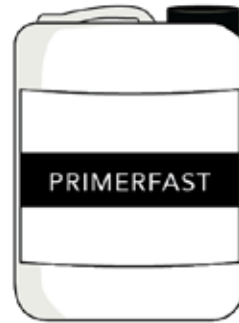
Always follow the meter manufacturer's instructions for use and ensure the correct calibration for the method and material being tested so that a reading of moisture content, by weight, of the concrete screed is obtained.

Target moisture content of concrete screed should not exceed 2%. (See 2.2.3 below ref Vapour Retarders)

If a Gypsum / Anhydrite screed is used, the target moisture content should be below 0.5%, or below 0.3% if Under Floor Heating is being used. (NB readings must be taken once any laitance layers are removed.)

1C.2.3 Vapour Barriers for Concrete / Anhydrite Screeds

Ted Todd recommends using Ted Todd Primerfast liquid damp proof membrane (LDPM) prior to ALL glue-down installations (1 coat with UFH and 2 coats if no UFH). The appropriate Ted Todd professional underlay should be used for ALL floated installations. (See section 6.3.3, Floating Plank Installation, for choice of underlay)



If the calcium carbide method test gave a reading for a concrete sub floor of greater than 2% moisture reading but no more than 4%, with a 60mm thick screed or less, using Ted Todd Primer fast liquid damp proof membrane can allow you to continue with the installation. If measurements are outside of these parameters do not bring the floor onto site.

When using Ted Todd underlays all seams must be taped with either Ted Todd Aluminium Tape or the self-adhesive overlap tape where this exists.

Plank

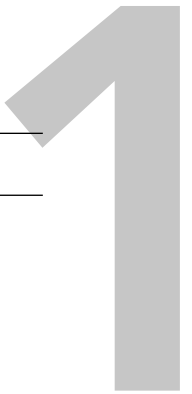
Herringbone

Chevron

Circular design panel

Continuous patterns





GUIDELINES FOR: SITE CONDITIONS

Once a Gypsum/Anhydrite screed is deemed dry [usually 0.5% by the calcium carbide method, or in the case of UFH 0.3%] it is often good practice to protect the screed from moisture ingress from spillages, burst pipes, wet trades etc. In this instance and only when the screed is completely dry, the use of a liquid applied damp proof membrane (Ted Todd Primerfast) can be applied to the surface.

1C.3 Considerations for Vapour Barriers and moisture testing with Underfloor Heating (UFH).

For all floated installations over under floor heating (UFH) use the appropriate Ted Todd Underlay with taped seams. (See Chapter 4).

If the installation is glued-down over water fed under floor heating system, just one coat of Ted Todd Primerfast may be used if required to seal a loose screed, and to encourage better adhesion and spread of glue-down adhesive such as Ted Todd MS Flex.

It is recommended that installations with UFH are equipped with the Ted Todd Fidbox monitoring system. This will ensure that a continuous record of the temperature and moisture conditions within the wood floor can be obtained.

1C.4 Summary

- Check the MC of the subfloors before bringing wood flooring onto site.
- No more than 2% MC or 65% RH for concrete screeds, but up to 4% MC and 75% RH with certain installations with adequate vapour barriers.
- No more than 0.5% for anhydrite screeds. (0.3% with UFH)
- Always use a suitable vapour barrier, correctly installed with regard to the installation method for the wood floor and with regard to the type of subfloor.
- The use of a Fidbox monitoring system is recommended for wood floor installations over UFH.



Plank



Herringbone



Chevron



Circular design panel



Continuous patterns





GUIDELINES FOR: SITE CONDITIONS

1C.5. FAQ's

Is all of the above really necessary?

The success of a good wood floor installation depends upon many factors. In instances where things go wrong the problems will almost certainly be traceable back to failure to correctly follow some of the guidelines listed above. Even in apparently simple installation projects all of the above points must be checked to ensure compliance.

Why must I measure my subfloor moisture levels?

Wood floors can be damaged if they absorb too much moisture. The wood will expand across its width if it becomes too wet and this can cause buckling, cupping, lipping and even delamination of the floorboards. Even when dry to the touch, concrete subfloors may still be too wet to allow a successful wood floor installation. Hence the need to accurately measure the moisture content of the subfloor.

New, thick concrete screeds will take many months to dry out properly. Older buildings may suffer from leaks, damp and inadequate ventilation causing excessive moisture patches in certain areas of the floor.

Can I use my wood moisture meter to measure the concrete's moisture ?

No. Not normally. Moisture meters work by measuring the electrical resistance of the material being tested. Wood and concrete have very different characteristics and so the measuring meters are not usually interchangeable. Wood moisture meters even need to be calibrated correctly for the timber species being measured and so using a wood moisture meter on a non wood-based material will not work.

Are vapour barriers just to keep out moisture from reaching the wood floor?

There are other advantages to using vapour barriers. Many of the Ted Todd underlays also provide thermal insulation, sound insulation – both transmitted and reflected- and can make the installation of the wood easier by allowing the boards to slide together more easily.

The Ted Todd Primerfast liquid damp proof membrane (LDPM) when applied to a concrete screed for a glue-down installation will not only form a vapour barrier but also help the adhesion between the MS Flex adhesive and the subfloor.

RAS 14/05/24



Plank



Herringbone



Chevron



Circular design panel



Continuous patterns





GUIDELINES FOR: SUB FLOORS

2.1 General Subfloor Requirements.

For a comprehensive listing of sub-floor types and construction layouts, please refer to BS8201, Section 3, Figures 1 to 3. Do we want to show Ted Todd versions of these BS8201 figures? NB Figure 1, diagram (a) in BS8201 does not show any vapour barrier.

All sub-floors must comply with BS8201-2011.

Ted Todd wood floors can be installed over a variety of Subfloors. Please refer to the following sections for minimum Subfloor specifications:

- 2.2 Panel Products, such as Chipboard, OSB or Plywood.
- 2.3 Solid-board softwoods.
- 2.4 Joists.
- 2.5 Tiles.
- 2.6 Screeds, such as Concrete, Anhydrite or Gypsum
- 2.7 Raised Access floors
- 2.8 Mixed Subfloors.

2.1.1 Subfloor Moisture

Ensure moisture content of subfloor/substrate meets the appropriate industry standard for the finish flooring material to be installed.

For Wood based subfloors there should be no more than 12%MC and should be no more than +/- 2% Moisture Content difference to the Wood Flooring.

For concrete screeds moisture content should not exceed 2% (calcium carbide measure) or RH of 65%. Anhydrite-based screeds with MC of no more than 0.5% (0.3% with UFH).

Always check moisture content of wood flooring on both sides before installing.

Always use an appropriate moisture barrier.

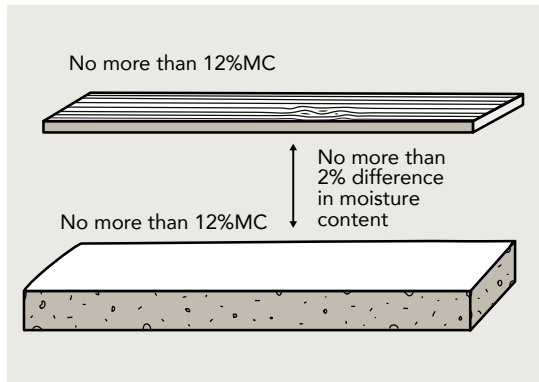


Figure 1: Wood based subfloors should only be +/-2% Moisture Content difference to the Wood Flooring.



Plank



Herringbone



Chevron



Circular design panel



Continuous patterns





GUIDELINES FOR: SUB FLOORS

2.1.2 Subfloor Flatness and Integrity

The Subfloor must also be clean, dry, structurally sound, free of squeaks and free of protrusions.

Subfloors must be flat to within flatness tolerance of a maximum 3 mm gap showing under a 2 m long straight edge.

If peaks or valleys in the subfloor exceed the tolerances specified above, level with approved screed material for use under wood flooring. It is usually the builder's or general contractor's responsibility to provide the wood-flooring contractor with a subfloor that is within the tolerances listed above.

Inspect the Subfloor carefully. If there are any movements or squeaks in the subfloor, refasten the subfloor to the joists in problem areas. Any protrusions within the sub-floor should be dealt with.

2.1.3 Subfloor deviation from level, as defined by BS8201 – 2011, section 12.4.2.2.

This refers to the slope of a subfloor or deviation from the level, or from a specified datum. The maximum permissible slope of the finished floor should be specified, taking into account the area of the floor and its end use. For large areas (greater than 25 m²), a deviation of 15 mm from the level or specified datum is generally considered to be satisfactory. Greater accuracy to datum can be necessary in small rooms, along the line of partitions walls, in the vicinity of door openings etc. For an area under 5 m x 5 m, a maximum deviation of 5 mm from datum is considered acceptable.

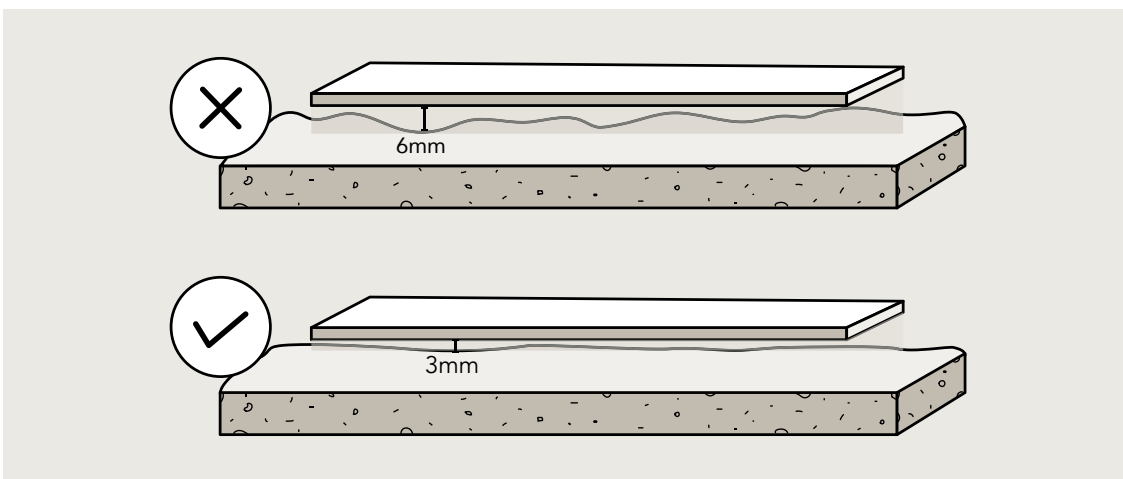


Figure 2: Subfloors must be flat to within flatness tolerance of a maximum 3 mm gap showing under a 2m long straight edge.



Plank



Herringbone



Chevron



Circular design panel



Continuous patterns





GUIDELINES FOR: SUB FLOORS

2.2 Subfloors of Wood-based Panel Products

- Typically Plywood or OSB are used.

Subfloor Must Be Flat.

Make sure the panels are flat within a flatness tolerance of a maximum 3 mm gap showing under a 2m long straight edge. If the panels are out of specification, consider sanding or a levelling screed.

When sanding, care must be taken to minimize the amount of dust produced. Dust collection devices must be used.

Subfloor Must Be Dry.

Refer Chapter 1C, Moisture Testing.

2.2.1 Specification.

For wood panel products subflooring, check for loose panels and re-nail or screw down loose panels securely.

Check that the installation site conditions and the design of the installation meets the standards of Chapter 1, complementing BS8201-2011.

Ensure that there is proper expansion space around the wood panel subfloor and the perimeter of the room.

Also check for delaminated or damaged areas and repair those areas as needed. Make sure the subfloor is clean and free of debris before beginning installation.

Ensure that wood panel sub-floors over joists meet with current local building regulations with regard to the panels' structure and thickness and joist centres spacing.

2.2.2 Fastening and Spacing Specifications

Follow the panel manufacturer's recommendations for spacing and fastening.

Only use fixings and fasteners that comply with BS8201-2011, section 12.7.

Typical panel spacing and fastening requirements for truss/joist systems call for a 3mm expansion space around the perimeter of each panel, with panels fastened every 300 mm along intermediate supports.

Edge swell arounds the edges of the panels should also be flattened. This can usually be accomplished by using an edger sander. Ensure flatness of no more than 3mm under a 2m straight edge.



Plank



Herringbone



Chevron



Circular design panel



Continuous patterns





GUIDELINES FOR: SUB FLOORS

2.3 Solid Board Subfloors - (existing plank floorboards)

Subfloor Must Be Flat

Make sure the boards are flat to within 3mm in 2m radius.

If the boards are out of specification, consider sanding.

When sanding care must be taken to minimize the amount of dust produced. Best practice would include using dust-collection devices. If dust is not adequately contained, respirators should also be used to minimize the amount of dust inhaled.

Subfloor Must Be Dry

Refer Chapter 1C, Moisture Testing.

2.3.1 Specification

Ensure that the Solid board subflooring (existing floorboards) meet all relevant building regulations and that the installation is structurally sound with no signs of rot or infestation.

We do not recommend installing parquet (herringbone or geometric pattern) flooring directly onto existing floorboards without the use of minimum 9mm ply panel underlayment, laid in the same direction as the subfloor planks and installed according to BS8201-2011.

2.4 Joists- Structural floor.

Only acceptable for minimum thickness of 20mm solid or engineered floors as the installation will be of a structural nature.

Joists level must Be Flat

Make sure the joists are flat to each other within a flatness tolerance of a maximum 3 mm gap showing under a 2m long straight edge

Joists must Be Dry

Refer Chapter 1C, Moisture Testing.

Always use a Builders' Paper such as Sisalkraft to ensure an adequate moisture barrier below the wood floor.

2.4.1 Specification

Check carefully the relevant building regulations with regard to the structure, floorboards thickness and joist centres to ensure that the installation is structurally compliant and safe.



Plank



Herringbone



Chevron



Circular design panel



Continuous patterns





GUIDELINES FOR: SUB FLOORS

2.5 Tiled Subfloors

Subfloor Must Be Flat

Make sure the tiles are flat to within 3mm in 2m radius.

If not flat, a levelling screed will be necessary.

Subfloor Must Be Dry

Refer Chapter 1C, Moisture Testing.

2.5.1 Specification

Engineered and solid flooring can be installed directly over existing ceramic tile, terrazzo, marble and granite.

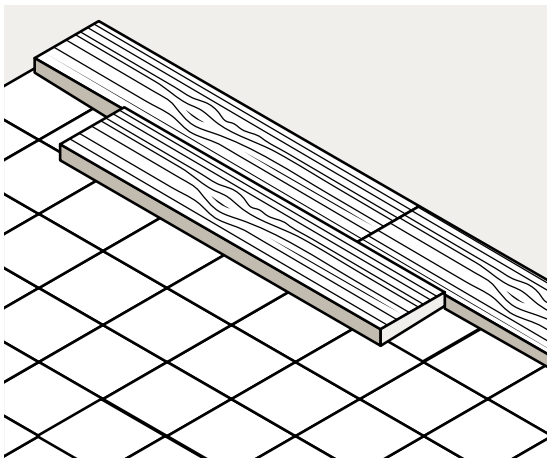


Figure 3: Engineered and solid wood floor can be installed directly over tiled surfaces.

2.6 Concrete and Screed Subfloors

All subfloors must be installed and comply with BS8201-2011.

Subfloor Must Be Flat

Make sure the subfloor is flat to within a flatness tolerance of a maximum 3 mm gap showing under a 2m long straight edge

Subfloor Must Be Dry

Refer to Chapter 1C, Moisture Testing.

2.6.1 Specifications for Concrete.

Subfloor Must Be:

- Minimum 3000 psi (21N/mm²) compression strength and density around 2400KG/m³
- Free from non-compatible sealers, waxes, and oil, paint, drywall compound etc.
- Check for the presence of sealers by applying drops of water to the slab, if the water beads up, there may be sealers or oils.
- Do not attempt to glue a wood floor over a chalky or soft concrete slab.
- Check for burnished, slick steel-trowel slabs and power floated slabs.
- To be made suitable, the above may all require screening with a 30-grit abrasive and using Ted Todd Primerfast as a primer once the screed is fully dry.



Plank



Herringbone



Chevron



Circular design panel



Continuous patterns





GUIDELINES FOR: SUB FLOORS

2.6.2 Specifications for Screed.

Make sure the Screed is well bonded to the sub-floor. Check for hollow spots, cracks and loose areas.

As with on-ground concrete sub-floors make sure the Screed is clean, flat to specification and dry.

Over lightweight Screeds (less than 3000 psi), only float engineered floors directly over the subfloor.

For wide solid boards a ply Subfloor can be installed over a concrete screed using nominal 15mm Class 1 Exposure plywood subfloor panels installed according to BS8201-2011.

2.7 Raised Access floors (RAF).

All subfloors must be installed and comply with BS8201-2011.

In addition, for RAF the main tolerances are listed in the standard PSA MOB PF2 PS/SPU Performance Specification for platform floors.

RAF must be installed in accordance with the manufacturer's guidance and the relevant standards.

The main points are:

- The RAF floor system must be compatible with the type of wood flooring and installation method. Check with the RAF manufacturers for compatibility.

- P3.03: The maximum gap between the RAF panels when located in their respective positions shall not exceed 1mm.
- P3.08: The difference in height between adjacent panels without floor finish, panels with a hard surface type floor finish and panels with lipped edges shall not exceed 0.75mm before the application of any load.
- P3.07: Before the application of any load, the platform floor surface shall be level to within: a. ± 1.50 mm over any 5-metre square and b. ± 6.00 mm over any size of basic space.
- The concavity or convexity of any RAF panel under no load conditions shall not exceed 0.75 mm when measured horizontally parallel to any edge or diagonally across a 600 mm module.

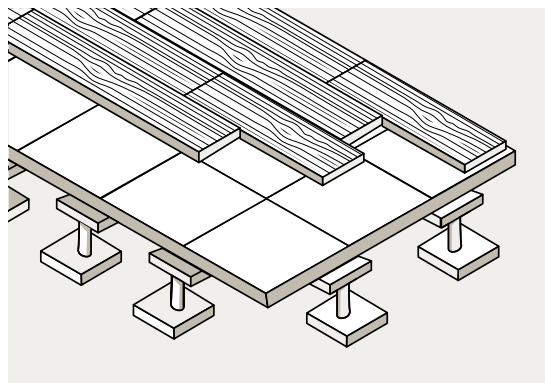


Figure 4: Raised access floors (RAF)



Plank



Herringbone



Chevron



Circular design panel



Continuous patterns





GUIDELINES FOR: SUB FLOORS

2.8 Mixed Subfloors.

For areas with mixed subfloors, most commonly extensions whereby the ground floor has a suspended floor, and the room is extended with a concrete screed, it is important to level the entire area and to ensure the ridge between the two areas is removed.

Only use one fitting method to install the floor in the area unless the floor is separated by the use of a T section at the join of the Subfloors.

If only part of a continuous floor area is to be fitted with UFH, it is recommended that the heated area is separated from the un-heated area by a break in the wood flooring using a T-bar section. This is to avoid any differential in expansion / shrinkage of the two areas that may lead to splitting, cracking, open joints or a squeaky installation.

The best ways to install the floor is either:

- to ply the entire area (see 2.2 - Panel Products Subfloors) and either nail or glue the flooring to the ply using Ted Todd MS Flex adhesive.
- to screed the entire area and fully bond (glue-down) the wood floor to the new screed, once dry.

Refer to Chapter 1 to ensure the tolerance for moisture is met and the correct use of vapour retarders for each area.

2.9 Summary.

- All subfloors must be installed and comply with BS8201-2011.
- Subfloor Must Be Flat.
- Subfloor Must Be Dry
- Refer to the sections above, when the type of subfloor has been identified, for detailed guidelines.
- Ensure that the preferred method of installing the wood floor is compatible with the subfloor that exists.

For RAF, see the standard PSA MOB PF2 PS/SPU Performance Specification for platform floors, and check with RAF's manufacturers instructions that the system is compatible with the required wood floor.

2.10 FAQ's

Is all of the above really necessary?

The success of a good wood floor installation depends upon many factors. In instances where things go wrong, the problems will almost certainly be traceable back to failure to correctly follow some of the guidelines listed above. Even in apparently simple installation projects all of the above points must be checked to ensure compliance.



Plank



Herringbone



Chevron



Circular design panel



Continuous patterns





INSTALLATION OF: PLANKS - FULLY BONDED

There are 3 main methods for installing Ted Todd wood floor planks.

- Fully-Bonded (Glued down)
- Floating
- Nailed down

Decide very early in the project what is the preferred installation method with due regard to the subfloor, the type of wood floor being installed and the end-use of the area of installation.

Always check with the end-user that the correct product has been delivered and that they are happy with the grade and visual appearance of the floor. Open several packs at a time and mix the boards to ensure a good degree of board selection so the installation is visually well-balanced.

Agree on the laying pattern and the orientation of the planks within each room. Normally the longest run of the room is the direction the planks should be laid, but do consider other factors such as lighting, windows and doors.

- Agree on the width balance of the planks in the room too.
- All installations should comply with BS8201.

3.1 Site Checks

Before commencing installation ensure the requirements have been met for:

- Jobsite Conditions, Moisture Testing and Acclimatisation (Chapter 1A, 1B and 1C).
- Ambient temperature range of 16 to 24°C.
- Ambient relative humidity of RH of 45 to 65%
- Subfloors, see Chapter 2 for a full check list.

3.2 Acceptable Sub Floors

- Wood-based panels, such as OSB or Plywood. Moisture content no more than 12% and no more than 2% difference with the wood floor.
- Concrete / Screed. For concrete screeds moisture content should not exceed 2% (calcium carbide measure) or RH of 65%. Anhydrite-based screeds with MC of no more than 0.5% (0.3% with UFH).
- Joists - 20mm products only. Always use a Sisalkraft type Builders Paper as a moisture barrier.
- Tiles – when flat.
- Subfloors must be Dry and Flat. (See Chapter 2.)



Narrow Plank



Plank



Wide Plank



Extra-Wide Plank



Super-Wide Plank





INSTALLATION OF: PLANKS - FULLY BONDED

3.3 Installation Guidelines, All Planks installations.

Choose a starting wall according to the most aesthetically or architecturally important elements in the room, taking into consideration fireplaces, doors, cabinets and transitions, as well as the squareness of the room. The starting wall will often be the longest unbroken wall in the room but do consider all other factors such as lighting. Do consider the width balance of the planks across the room too.

Where possible, expansion gaps must be left though doorways/archways and covered with T-sections to break up large areas of installation. A minimum expansion space of 15mm must be left around the perimeter and all vertical obstructions.

Remember that the floor must be allowed to expand and contract under the thresholds, skirting and other joint covers.

Door architraves can be undercut to allow for the floor planks to fit underneath and still permit the expansion and contraction of the planks.

Consider how the perimeter expansion gaps will be covered after installation. Skirting boards or scotia and other profiled shapes are available for this. They must be installed to allow for movement of the flooring planks below.

Plan to distribute lengths of planks in a fashion where the end joints are randomly-staggered. Avoid "H" patterns (as below) and other discernible patterns in adjacent runs. Stagger end joints at least three times the width of the boards, as product allows.

Use the offcut from the end of one row to start the next row.

Consider the width balance of the planks across the room. Plan ahead to ensure that opposite walls have approximately half-width planks to avoid narrow off-cuts which are difficult to install and can look odd.

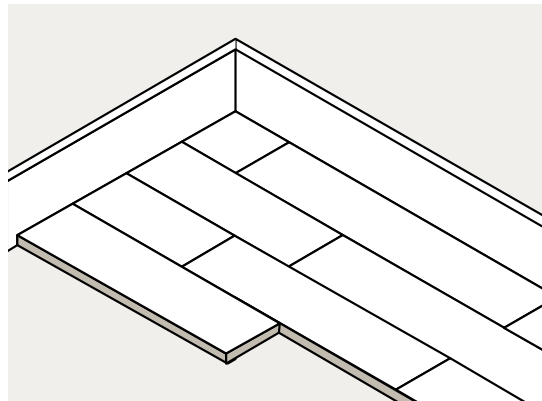





Figure 1: shows a typical arrangement of planks, using one offcut to start a row and the other to finish.



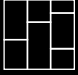
Narrow Plank



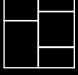
Plank



Wide Plank



Extra-Wide Plank



Super-Wide Plank





INSTALLATION OF: PLANKS - FULLY BONDED

For 2 and 3-layer engineered flooring there is frequently a bow within the board. This can be up to 25mm and therefore it is important to ensure that the first rows are laid with the boards being interlocked to around half of the length. This will ensure the boards lie flat and permit installation.

The Ted Todd Fidbox monitoring system is recommended on installations with UFH. (See Chapter 13 for extra guidelines relating to installations with UFH.)

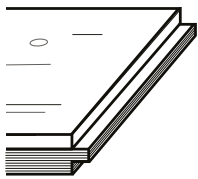


Fig 2: an example of a 2 layer engineered floor

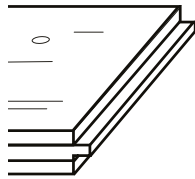


Fig 3: an example of a 3 layer engineered floor

3.4 Installation Guidelines, Ted Todd Planks. Fully-Bonded (Glued down) method.

3.4.1 Adhesive.

- Engineered wood plank floors can be fully-bonded to the correctly prepared subfloor using Ted Todd MS Flex adhesive, following the instructions for the adhesive
- The adhesive should be applied to the subfloor using a 3mm notched trowel. Always make a check to ensure that the back of the wood floor planks receive complete coverage of adhesive by lifting an occasional board. The trowel notch size may need to be increased to ensure full coverage of the adhesive to the back of the wood floor planks.
- Be sure to work within the "open time" of the adhesive to ensure that the planks are being laid onto still-wet adhesive. Pre-cut several rolls and apply adhesive to workable sized sections of the installation area to ensure that the adhesive is still "open" as each section of planks is installed. If the skin of the spread adhesive has started to harden before the planks are fitted, then it will be necessary to scrape off and remove the hardening adhesive and reapply new adhesive.



Narrow Plank



Plank



Wide Plank



Extra-Wide Plank



Super-Wide Plank





INSTALLATION OF: PLANKS - FULLY BONDED

- On a fully-bonded (glue down) installation never glue the T&G together. Only apply the MS Flex to the subfloor for contact with the underside of each plank. This is to prevent "rafting", from occurring, where uneven gaps between flooring planks, or groups of planks develop during normal expansion and contraction of the floor.
- Whilst laying the planks, remember to work and select planks from 3 or 4 packs at a time to ensure a good visual mix of colour and natural features.
- Once the planks are installed over the adhesive, be sure to avoid walking or kneeling on the installed planks until the adhesive has fully bonded to prevent disturbing the planks.



Use Ted Todd's MX Flex adhesive for best results.

3.4.2 Laying out the floor and getting started.

- Read and understand the instructions for Ted Todd Primerfast sealer, and Ted Todd MS Flex adhesive before starting work.
- Apply 2 coats of Ted Todd Primerfast liquid damp proof membrane to the subfloor. 1 coat if there is a water-fed Under Floor Heating system.
- Tiles will require to be abraded and quartz crystals applied to the wet Ted Todd Primerfast before installation. Or the tiles should be screeded plus Primerfast, to ensure a flat subfloor that can accept the MS Flex adhesive.
- Allow a minimum of 15mm expansion gap around the perimeter of the room.
- For installations where the maximum width exceeds 8m, intermittent expansion gaps should be allowed in between the rows of the boards allowing 1mm of extra expansion for every meter exceeding the maximum width. For example, a 10m wide room will require an extra 2mm of expansion distributed across the floor.
- Snap a working line parallel to the starting wall, the width of the board, plus the tongue and recommended expansion space.



Narrow Plank



Plank



Wide Plank



Extra-Wide Plank



Super-Wide Plank





INSTALLATION OF: PLANKS - FULLY BONDED

- Use Spacers between the wall and the first row of flooring planks allowing for any taper or unevenness in the wall. This helps maintain the correct expansion gap and allows for the first row to be supported when installing the T&G of following rows.
- Apply the adhesive, as per the guidelines 3.4.1 above, and install a starter board along the edge of the working line and begin installation.
- Alternatively, lay one row of plank in Ted Todd MS Flex along the length of the working line, allowing for the correct expansion gap, and allow curing before continuing the installation.
- Ensure that the boards are installed correctly with good fit between the T&G's. Use a knocking block to drift the boards together. If any gaps are difficult to eliminate, consider the use of tensioner straps to pull the boards together.
- If the installation is to be interrupted, or left overnight, the last row of glued-down planks should be weighted or strapped down to avoid any movement, and to ensure good contact between the planks and the adhesive applied to the subfloor.

3.5 Summary.

Site checks.

Temperature, Humidity, Clean, Dry, subfloors flat and level and the site ready for wood floor.

- Plan the layout of the floor and the installation method.
- Use Ted Todd Primerfast and Ted Todd MS Flex for your fully bonded (glue down) installation.

3.6 FAQ's

Is all of the above really necessary?

The success of a good wood floor installation depends upon many factors. In instances where things go wrong, the problems will almost certainly be traceable back to failure to correctly follow some of the guidelines listed above. Even in apparently simple installation projects all of the above points must be checked to ensure compliance.



Narrow Plank



Plank



Wide Plank



Extra-Wide Plank

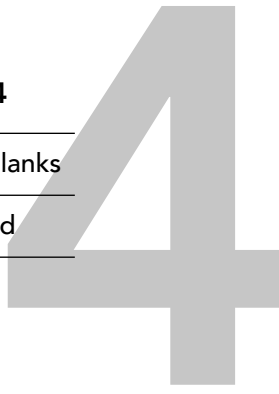


Super-Wide Plank

PRIMERFAST: Application with nylon roller, coverage 6kg tub =120-450g/m². Suitable for underfloor heating. Single coat. Fast drying within 45-50min

MX FLEX ADHESIVE: 1.45 Kg/Ltr. Coverage 700/1200 g/m² depending on the subfloor. free from water, solvents, amines, epoxy resins and isocyanates. Suitable for underfloor heating.





INSTALLATION OF: PLANKS - FLOATING

There are 3 main methods for installing Ted Todd wood floor planks.

- Fully-Bonded (Glued down)
- Floating
- Nailed down
- Decide very early in the project what is the preferred installation method with due regard to the subfloor, the type of wood floor being installed and the end-use of the area of installation.
- Always check with the end-user that the correct product has been delivered and that they are happy with the grade and visual appearance of the floor. Open several packs at a time and mix the boards to ensure a good degree of board selection so the installation is visually well-balanced.
- Agree on the laying pattern and the orientation of the planks within each room. Normally the longest run of the room is the direction the planks should be laid, but do consider other factors such as lighting, windows and doors.
- Agree on the width balance of the planks in the room too.
- All installations should comply with BS8201.

4.1 Site Checks

Before commencing installation ensure the requirements have been met for:

- Jobsite Conditions, Moisture Testing and Acclimatisation (Chapter 1A, 1B and 1C).
- Ambient temperature range of 16 to 24°C.
- Ambient relative humidity of RH of 45 to 65%
- Subfloors, see Chapter 2 for a full check list.

4.2 Acceptable Sub Floors

- For Wood based subfloors there should be no more than 12%MC and should be no more than +/- 2% Moisture Content difference to the Wood Flooring.
- Concrete / Screed. For concrete screeds moisture content should not exceed 2% (calcium carbide measure) or RH of 65%. Anhydrite-based screeds with MC of no more than 0.5% (0.3% with UFH).
- Joists - (must be Boarded by Plywood or OSB if flooring is floated) 20mm products only, always use a Sisalkraft type Builders Paper as a moisture barrier.
- Tiles – when flat.
- Subfloors must be Dry and Flat. See Chapter 2.



Narrow Plank



Plank



Wide Plank

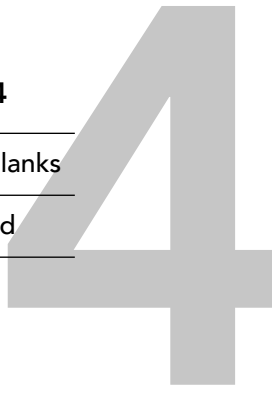


Extra-Wide Plank



Super-Wide Plank





INSTALLATION OF: PLANKS - FLOATING

4.3 Installation Guidelines, All Planks installations.

- Choose a starting wall according to the most aesthetically or architecturally important elements in the room, taking into consideration fireplaces, doors, cabinets and transitions, as well as the squareness of the room. The starting wall will often be the longest unbroken wall in the room but do consider all other factors such as lighting. Do consider the width balance of the planks across the room too.

- Door architraves can be undercut to allow for the floor planks to fit underneath and still permit the expansion and contraction of the planks.
- Consider how the perimeter expansion gaps will be covered after installation. Skirting boards or scotia and other profiled shapes are available for this. They must be installed to allow for movement of the flooring planks below.
- Plan to distribute lengths of planks in a fashion where the end joints are randomly-staggered. Avoid "H" patterns (as below) and other discernible patterns in adjacent runs. Stagger end joints at least three times the width of the boards, as product allows.
- Use the offcut from the end of one row to start the next row.

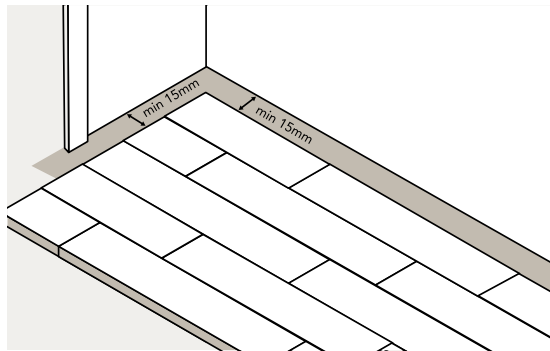


Figure 1: Leave a minimum of 15mm around the perimeter and all architectural details and obstructions

- Where possible, expansion gaps must be left though doorways/archways and covered with T-sections to break up large areas of installation. A minimum expansion space of 15mm must be left around the perimeter and all vertical obstructions.
- Remember that the floor must be allowed to expand and contract under the thresholds, skirting and other joint covers.

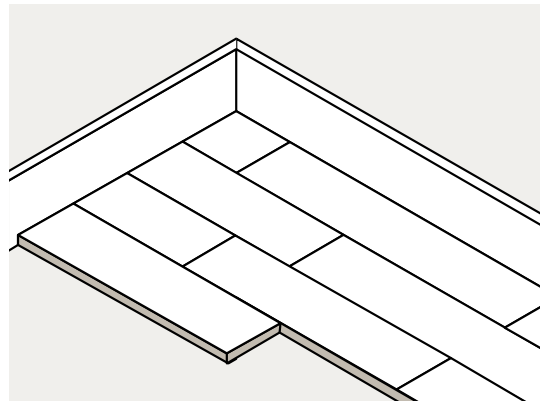


Figure 2: shows a typical arrangement of planks, using one offcut to start a row and the other to finish.



Narrow Plank



Plank



Wide Plank

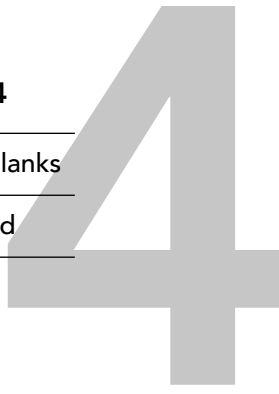


Extra-Wide Plank



Super-Wide Plank





INSTALLATION OF: PLANKS - FLOATING

- Consider the width balance of the planks across the room. Plan ahead to ensure that opposite walls have approximately half-width planks to avoid narrow off-cuts which are difficult to install and can look odd.
- For 2 and 3-layer engineered flooring there is frequently a bow within the board. This can be up to 1.5% of the board length and therefore it is important to ensure that the first rows are laid with the boards being interlocked to around half of the length. This will ensure the boards lie flat and permit installation.
- The Ted Todd Fidbox monitoring is recommended to be installed on installations with UFH. (See Chapter 13 for extra guidelines relating to installations with UFH.)

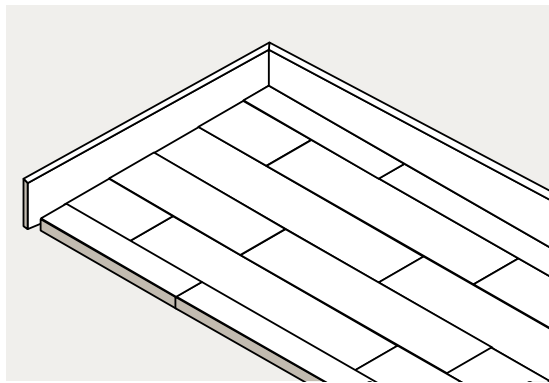


Figure 3: Plan ahead to ensure that opposite walls have approximately half-width planks

4.5 Installation Guidelines, Ted Todd Planks.

Floating method.

- Do not float engineered floors where the dimension of an installation area exceeds 6m in width and 10m in length. If these dimensions are exceeded, please glue down (fully bond) the flooring using Ted Todd's MS Flex adhesive, as per Chapter 3 of the Ted Todd Installation Guide.
- Do not allow any fixed furniture items such as kitchens, cupboards and any other fixed joinery to be installed over a floating floor installation. This is because any item that is screwed into or through a floating floor will restrict the natural "floating" expansion and contraction of the wood floor planks.
- Ensure a suitable wood-floor underlay with DPM or vapour retarder has been applied under the flooring planks, unless with the use of under floor heating.
- Only use an approved wood floor underlay. Low density underlays, or those with a low compressive strength, should not be used as they will allow flexing of the planks and not offer the necessary support to the T&G joints.



Narrow Plank



Plank



Wide Plank

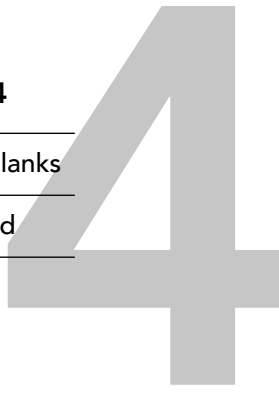


Extra-Wide Plank



Super-Wide Plank





INSTALLATION OF: PLANKS - FLOATING

4.5.1 Laying out and getting started.

All Ted Todd Plank flooring can be installed using the Floating method over acceptable subfloors that are within room dimension guidelines. See Chapter 2 and Section 3.2 above.

- Once the general layout of the floor planks in the room has been agreed upon, (Sections 3.0 to 3.3 above) an appropriate underlay should be chosen. The main factors in the choice of underlay, and the recommended Ted Todd choices are as per the table below:

FACTOR	MEASUREMENT	BEST CHOICES OF TED TODD
Noise	dB Impact sound transmission. Broadly related to thickness	Amphion(28dB) Bond 5mm (26dB) Blue (23dB) Olympia (23dB)
Moisture	Moisture barrier. Most Ted Todd Underlays have built-in moisture barriers	All except Bond and Amphion. Can use the Moisture block foil
Levelling	Thickness can absorb small sub-floor surface variations	Blue (5mm) Amphion (5mm) Bond (5mm) Olympia (3.6mm) Green (3.2mm)
Heat insulation	Tog value (want high, insulate from cold)	Blue (1.8) Bond 5mm (0.83)
UFH	Tog value. (Want low to aid heat transmission)	Green (Tog 0.1) Yellow (Tog 0.4)
Cost	£, Per Roll and per M ² . Check latest Ted Todd price list.	Red, exceptional value £/m² Plus look at Bond total installation costs.
Ease of installation	Roll size, weight, packing, overlaps, cutting lines	Blue (folded, with overlap) Bond (self-adhesive)
Compression / longevity	Density. How it performs and supports the T&G, effects of compression. Quality, weight.	Green (1000kg /m²) Olympia (800kg /m²)



Narrow Plank



Plank



Wide Plank

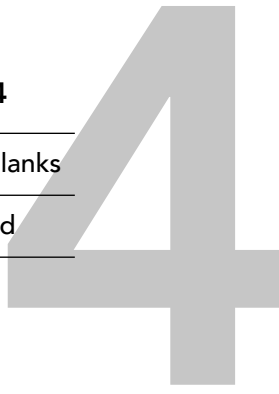


Extra-Wide Plank



Super-Wide Plank





INSTALLATION OF: PLANKS - FLOATING

- The underlay should be installed first, and all seams taped with aluminium tape, or using the overlap if included on the underlay, to ensure the continuity of the moisture barrier.
- Following the guidelines in 3.0 to 3.3 above start laying out the planks on top of the underlay.
- Snap a working line parallel to the starting wall, the width of the board, plus the tongue and recommended expansion space.
- Use Spacers between the wall and the first row of flooring planks allowing for any taper or unevenness in the wall. This helps maintain the correct expansion gap and allows for the first row to be supported when installing or knocking together the T&G of following rows.
- The planks should be glued together using Ted Todd T&G adhesive. This should be applied in an even bead, to the top of each tongue on both the long side and short end. The planks should then be pushed together to make a tight joint with its neighbouring plank.
- A knocking block may be used to tap the boards together to tighten the joints. Be careful not to hit the boards too hard as this may cause other, already-joined boards to separate. A tensioner strap may be used to hold the boards in place, tightly together, whilst the adhesive dries. MS Flex full curing time is 36 to 48 hours.
- (NB the T&G's should only be glued together in Floating installations. Never in a fully-bonded installation as this would affect the natural expansion and contraction of the fully bonded planks).

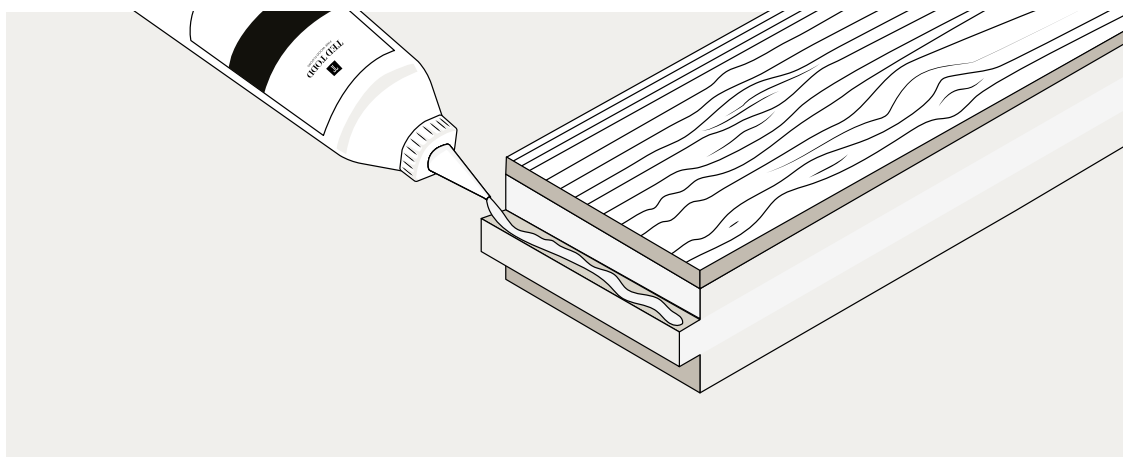


Figure 4: adhesive should be applied to the top of the T&G tongue.



Narrow
Plank



Plank



Wide
Plank

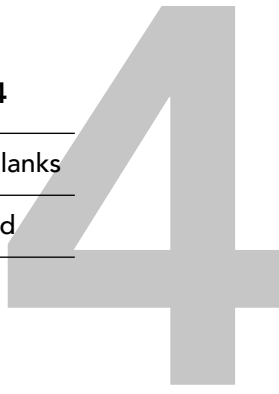


Extra-Wide
Plank



Super-Wide
Plank





INSTALLATION OF: PLANKS - FLOATING

4.5.2 Click system planks.

- To float a click system floor, the procedure and guidelines are similar to those above, except for the application of the T&G adhesive.
- Follow the instructions carefully for guidance of how to click together the planks as different systems do vary.
- Careful attention must be paid to the maximum area of the installation which will depend upon the installation method.

4.6 Summary

- Site checks, site ready for wood floor
- Temperature and humidity
- Subfloor correctly prepared, clean, dry , flat and level.
- Maximum area (6m wide and 10m long) for Floating installation.
- Choice of Underlay.

4.7 FAQ's

Is all of the above really necessary?

The success of a good wood floor installation depends upon many factors. In instances where things go wrong, the problems will almost certainly be traceable back to failure to correctly follow some of the guidelines listed above. Even in apparently simple installation projects all of the above points must be checked to ensure compliance.

Why is there a maximum area limitation for floating a wood floor?

Wood floors change dimension with changes in humidity. In floating floor, the T&G of each piece will be tightly glued to the next. This means that the floor area as a whole will move as a single piece. In extreme cases the stress of this may cause joint failure and large gaps can appear between planks. (This is known as rafting).



Narrow Plank



Plank



Wide Plank



Extra-Wide Plank



Super-Wide Plank





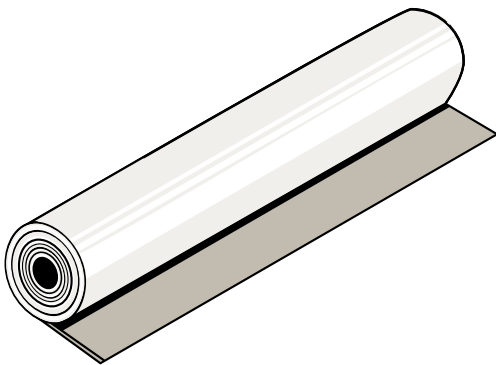
INSTALLATION OF: PLANKS - UNIVERSAL BOND

UNIVERSAL BOND

Pack Size	Thickness	Sound Resistance	Under-Floor heating
10m ²	3mm	up to 23db	Compatible
10m ²	5mm	up to 26db	Not Compatible

About Universal Bond

Universal Bond 3mm/5mm high-grab self-adhesive underlay which reduces installation times and sub-floor preparation times are significantly reduced. Ideal for access flooring applications. It is extremely stable, durable and non-collapsing. Perfect for when bonded solution is needed but with the ability to be lifted later. Quick to fit, easy to work with.



- Rapid installation, moisture barrier foil.
- 100% recycled high density rubber crumb.
- In a 20m roll this PET foil has a huge vapour resistance SD value of 150 - much higher than any similar thickness products.
- Perfect for use with underlays with no built-in moisture barriers.
- Ideal for use on indoor sites as a dust or paint protection cover.
- 23dB impact sound resistance noise rating (3mm), 26dB (5mm).
- SR1 level floor required for herringbone.
- Extremely stable, durable and non-collapsing.
- 3mm suitable for underfloor heating.

Narrow Plank

Plank

Wide Plank

Extra-Wide Plank

Super-Wide Plank





INSTALLATION OF: PLANKS - UNIVERSAL BOND

- 1. The sub-floor must be level, smooth and dry. Sub-floor moisture readings must not exceed those prescribed by the wood floor manufacturer. If the sub-floor is dust generating or flaky, it may be necessary to apply a sub-floor primer prior to installation.
- The wood floor should always be allowed to condition prior to the installation. Before starting the installation, always follow the manufacturer's conditioning recommendations carefully (conditioning should never be less than 48 hours).
- The Universal Bond product must also be conditioned together with the wood flooring for the same length of time in the room where the installation will take place (for conditioning of solid boards please see points to note at the end of this document).
- It is important to control the internal temperature and humidity during and following the installation and we recommend that if a HVAC system is installed that it should be running constantly to maintain the required conditions.
- The air conditioning system should be allowed to run for a sufficient time to create the normal internal climate that the floor will be subject to during normal use.
- Once the climate has been stabilized, Universal Bond and the floor covering should be conditioned to this environment for at least 48 hours prior to the installation. Prior to installation it is the installer's responsibility to ensure that

all internal site conditions are stable and suitable for the installation.

- Room temperature of between 18°C - 22°C (65°F - 73°F) and Relative Humidity (RH) of between 45% - 65% must be maintained at all times. Failure to maintain these conditions could cause ongoing behavioural problems with the wood flooring product.
- 2. Always follow the wood flooring manufacturer's recommendations regarding moisture levels. Ted Todd Moisture Screen Foil is recommended on all concrete floor slabs. The joints should be taped using the Alu Tape for the Moisture Foil Screen. The DPM should be allowed to extend up the perimeter walls by 50mm, which can later be trimmed level with the surface of the finished floor, to allow any moisture vapour to be expelled above the finished floor height around the perimeter of the room. Alternatively, a liquid DPM such as the Ted Todd Primerfast product be used over concrete.
- 3. Roll out and position the Universal Bond (over the DPM, if fitted) with the exposed rubber surface facing downwards and the release film facing upwards, in rows next to one another (do not overlap the Universal Bond product).



Narrow
Plank



Plank



Wide
Plank

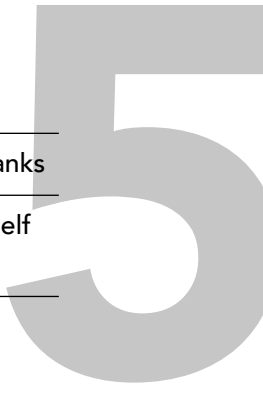


Extra-Wide
Plank



Super-Wide
Plank





INSTALLATION OF: PLANKS - UNIVERSAL BOND

- 4. Cover the floor area to be fitted with Universal Bond, leaving an expansion gap between the Universal Bond and the perimeter wall. The expansion gap should be identical to the expansion gap being left between the wall and the wood floor being installed above (see Section 6 below). Joins must be closely butted together (to ensure that there are no gaps in the Universal Bond) and run in the opposite direction to the board lengths of the wood floor to be fitted.
- 5. As shown in Diagram 1 below, at the perimeter wall where the installation of the floor begins, peel back the right-hand corner of the release film (A) at 45 degrees to the wall to expose a triangular shaped area of adhesive (B) on each strip of Universal Bond. Fold back sufficient release film to extend beyond two board widths.

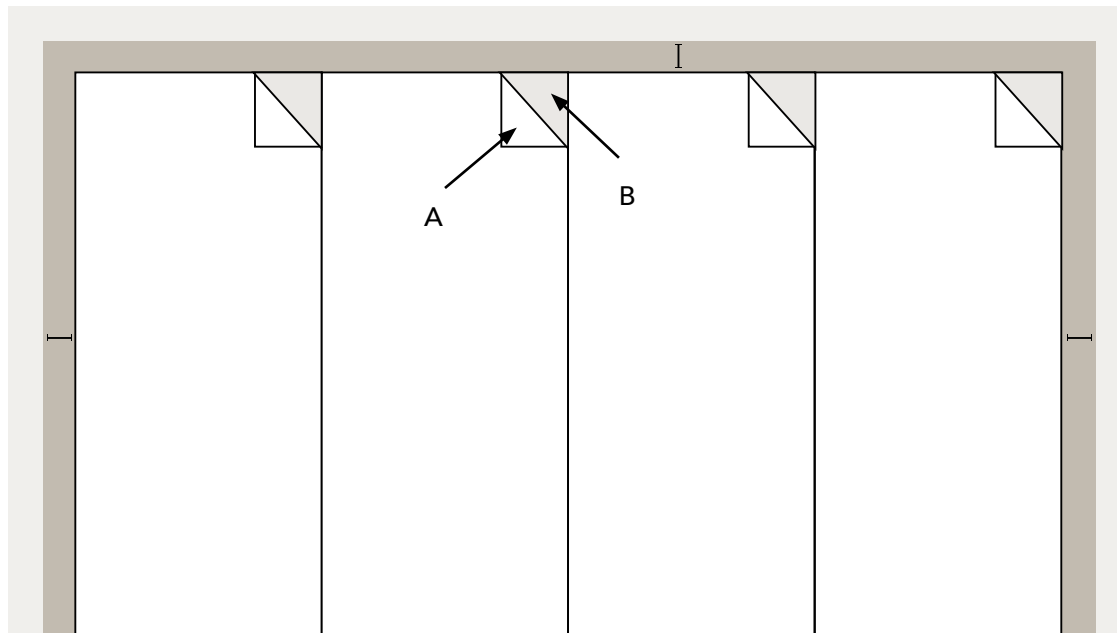


Figure 1: peel back the right-hand corner of the release film at 45 degrees to the wall to expose a triangular shaped area of adhesive



Narrow
Plank



Plank



Wide
Plank

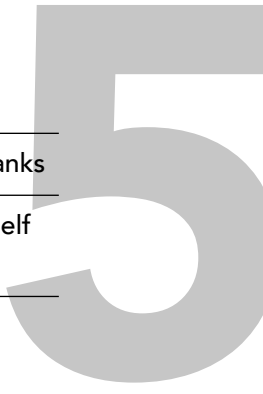


Extra-Wide
Plank



Super-Wide
Plank





INSTALLATION OF: PLANKS - UNIVERSAL BOND

- 6. Set out the first row of boards across all the Universal Bond rows along the full length of the starting wall. Ensure that the correct expansion gap is maintained between the wall and the boards (refer to the board manufacturers' guidelines on the necessary expansion gap).

Do not press the boards onto the corner of exposed adhesive yet, but allow the adhesive to hold the board gently in place. Now position the second row of boards to produce a configuration of boards and release film that resembles Diagram 2 below.

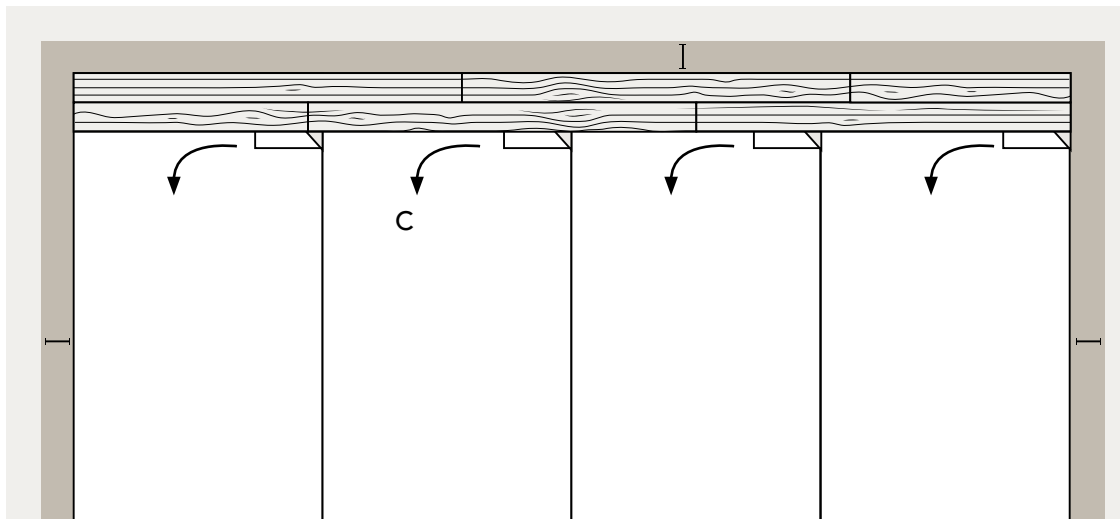


Figure 2: Lay 2 rows before pulling release paper firmly downwards from the corner.

- 7. Starting with the first row of Universal Bond, hold the first two boards firmly together with one hand, whilst gently peeling back the release film from under the boards with your other hand (in direction C of Diagram 2 above). Continue peeling back the release film until the adhesive membrane below the first two boards is fully exposed.

During this process, the angle of the release film fold and the wall will change from the initial 45 degree angle to becoming parallel to the boards and the wall. Whilst still maintaining pressure on the board joints, secure these first two boards in position by pressing them firmly onto the exposed adhesive. Repeat this process for each of the Universal Bond rows until the first two rows of boards are secured by the Universal Bond adhesive membrane along the entire length of the installation.



Narrow
Plank



Plank



Wide
Plank

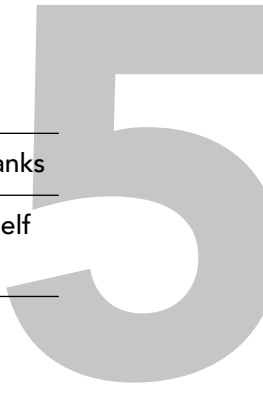


Extra-Wide
Plank



Super-Wide
Plank





INSTALLATION OF: PLANKS - UNIVERSAL BOND

- 8. At this point, the first two rows of boards will be secure and any excess release film (D) will be folded back parallel to the exposed edge of the second board as shown in Diagram 3 below.

Ensure that the release film is butted tightly against the exposed edge of the second board so that no adhesive membrane is exposed along the length of the installation. If too much release film is peeled back, stick the release film back up to the last fitted board and fold along the edge so that no adhesive layer is exposed.

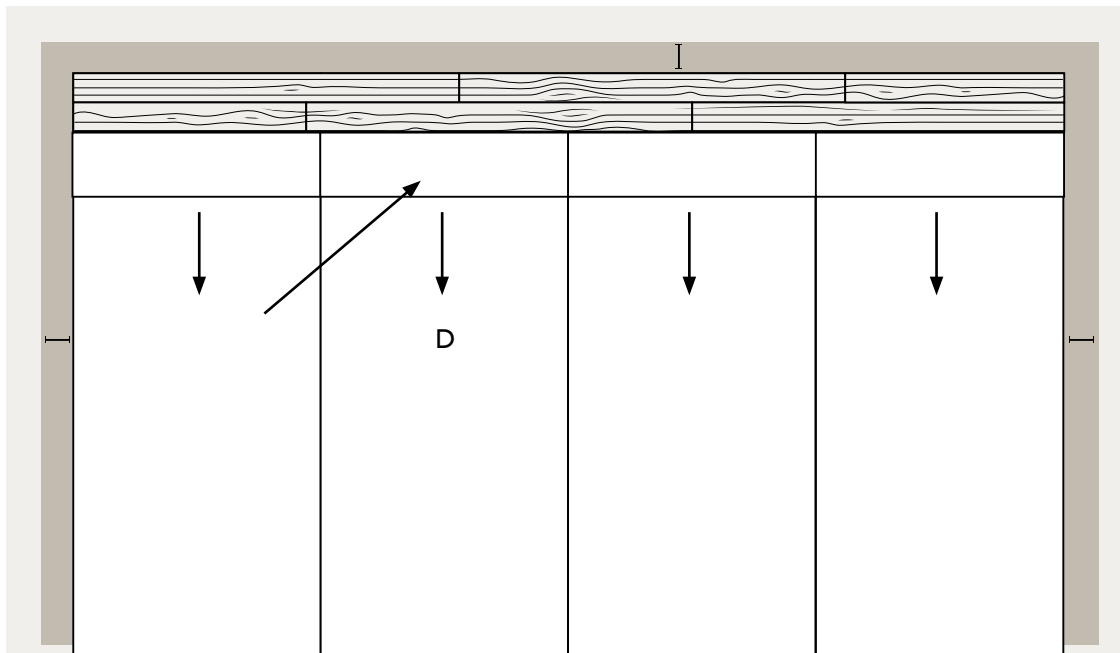


Figure 3: fold back any excess release parallel to the exposed edge of the second board.

- 9. Now position the third row of boards along the full length of the installation on top of the folded back release film, ensuring the board joints are closely butted together. Starting once again with the first row of Universal Bond, hold the third board tightly against the second board and gently pull the release film from under the third row of boards,

continuing to ensure that the joints are kept tight. The boards will automatically be grabbed by the adhesive membrane as the release film is peeled back. Repeat this process for each row of Universal Bond until the third row of boards is secured along the full length of the installation.

Narrow Plank

Plank

Wide Plank

Extra-Wide Plank

Super-Wide Plank





INSTALLATION OF: PLANKS - UNIVERSAL BOND

- 10. As shown in Diagram 4 below, continue installing all the remaining rows of boards in the same manner until the installation is complete.

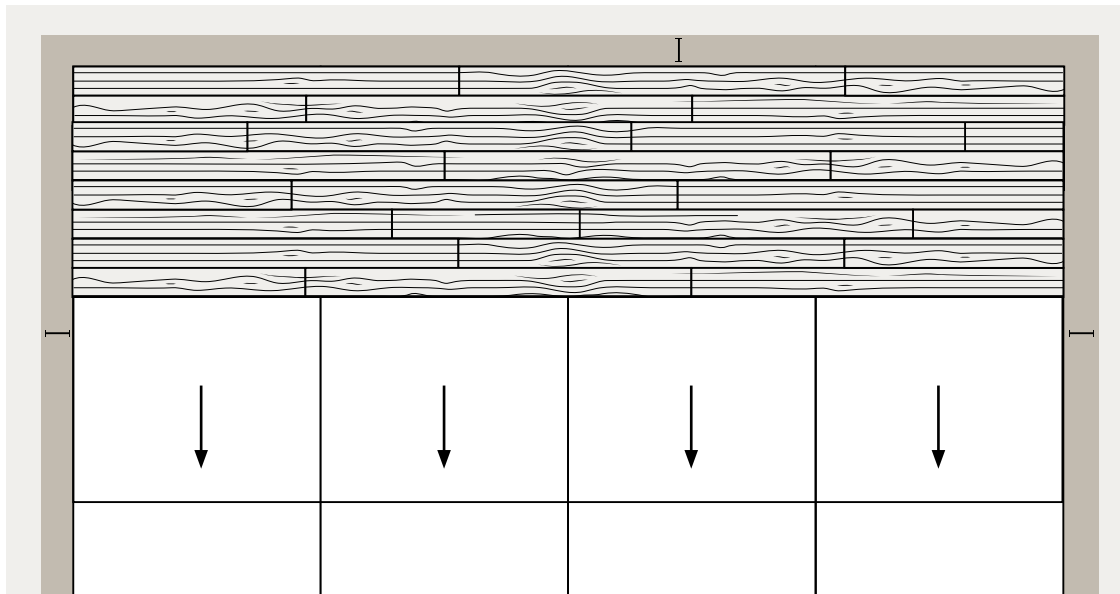


Figure 4: continue installing all the remaining rows of boards in the same manner until the installation is complete.

Points to note:

- If under floor heating is present, only wood flooring specifically approved for this application should be installed. The surface temperature must not exceed 27°C. This is critical, as excessive gapping between boards and/or cracking of the top layer may occur if the temperature exceeds this limit. If an electric matting underfloor heating system is used, it must be laid evenly throughout the floor area to avoid 'hotspots'. A matting system which is approved for floating floors must be used to ensure a suitable platform is created to install the wood flooring.
- Always follow the manufacturers conditioning recommendations carefully.
- Prior to installation it is the installer's responsibility to ensure that all internal site conditions are stable and suitable for the installation. Room temperature of between 18°C - 22°C and Relative Humidity of between 45% - 65% must be maintained at all times. Failure to maintain these conditions could cause ongoing performance issues with the wood flooring product.



Narrow
Plank



Plank



Wide
Plank



Extra-Wide
Plank



Super-Wide
Plank





INSTALLATION OF: PLANKS - UNIVERSAL BOND

Wide boards - Alternative procedure for starting the first row of boards (this method can also be adopted for any size boards if preferred).

- 1. Fold back a section of the white release film equal to the board width being installed plus 50mm and fold it flat (see Diagram 5&6).
- 2. Cut the remaining underlay coloured in blue along the dotted line A and discard. This leaves an overlapping section of release film on which to place the first board (see diagram 7).
- 3. Position each row of the underlay against the wall/perimeter (see diagram 7&8).
- 4. Follow this procedure for each row of Universal Bond until the whole area is complete and set out as shown in Diagram 8.
- 5. Once each row is in position, slide back the release film a further 50mm to expose a strip of adhesive membrane against the wall (denoted by B in Diagram 8)

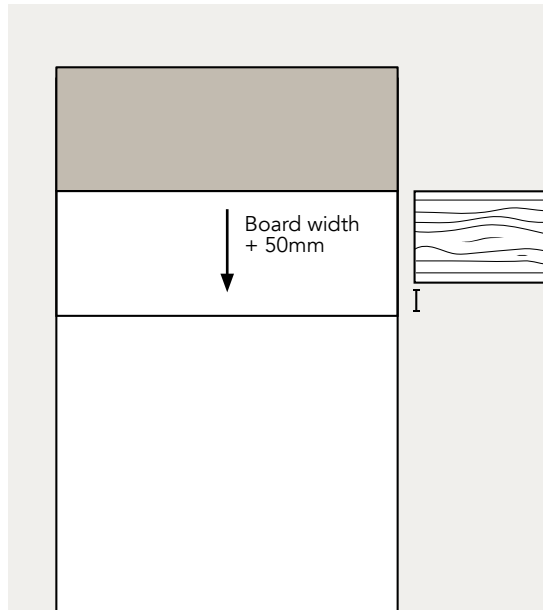


Figure 5:



Figure 6:

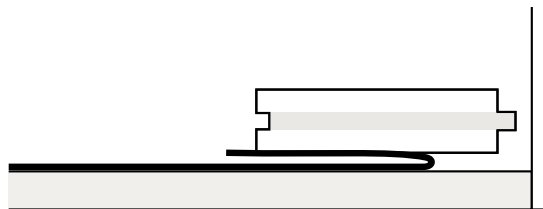


Figure 7:



Narrow Plank



Plank



Wide Plank



Extra-Wide Plank



Super-Wide Plank





INSTALLATION OF: PLANKS - UNIVERSAL BOND

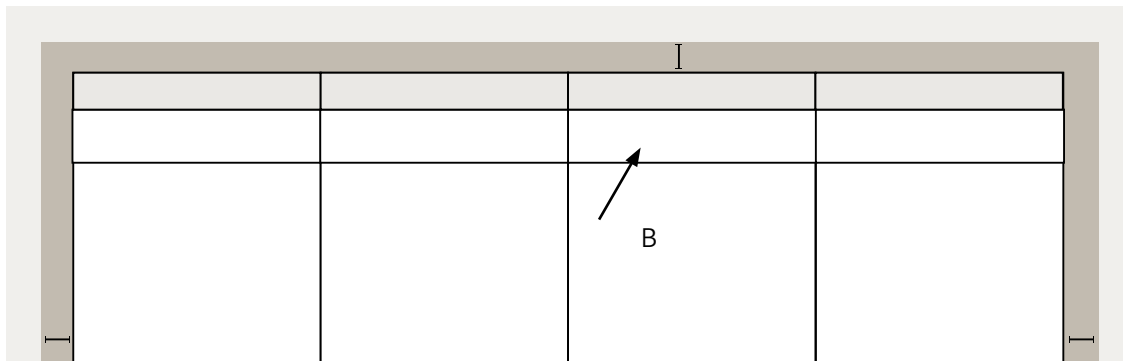


Figure 8:

- 5. Locate the first board making sure to leave the correct expansion gap (see Diagram 9). Once you are satisfied it is in the correct position press firmly into the exposed adhesive strip at the back of the board.

Next, while holding the board in place slowly pull the release film in row 1 and then row 2 in the direction of the arrows and apply pressure to the board to fully activate the adhesive and hold the board in place (see Diagram 9).

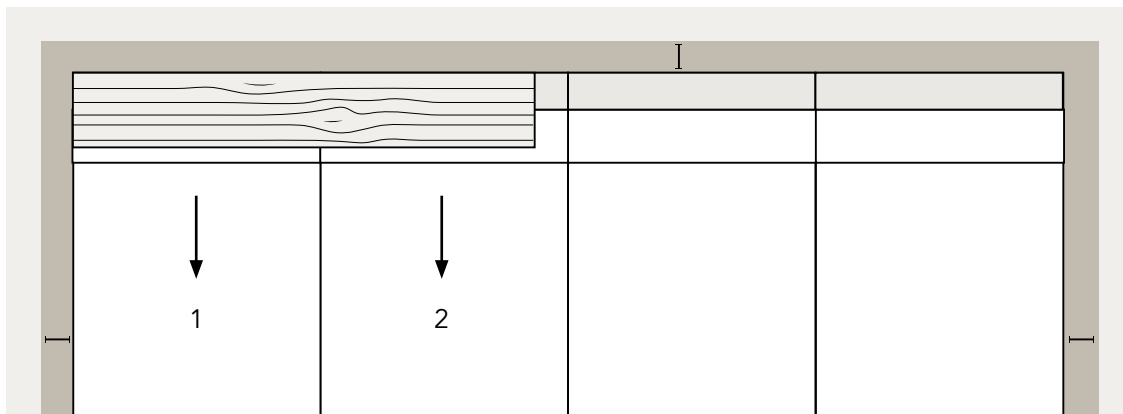


Figure 9:

- 6. Locate the next board (2) ensuring that the joint is flush with the adjoining board (see Diagram 10). Once located correctly press firmly into the exposed adhesive strip at the back of the board.
- Next, while holding the board in place slowly pull the release film in row 3 and then row 4 in the direction of the arrows and apply pressure to the board to fully activate the adhesive and hold the board in place.



Narrow
Plank



Plank



Wide
Plank



Extra-Wide
Plank



Super-Wide
Plank





INSTALLATION OF: PLANKS - UNIVERSAL BOND

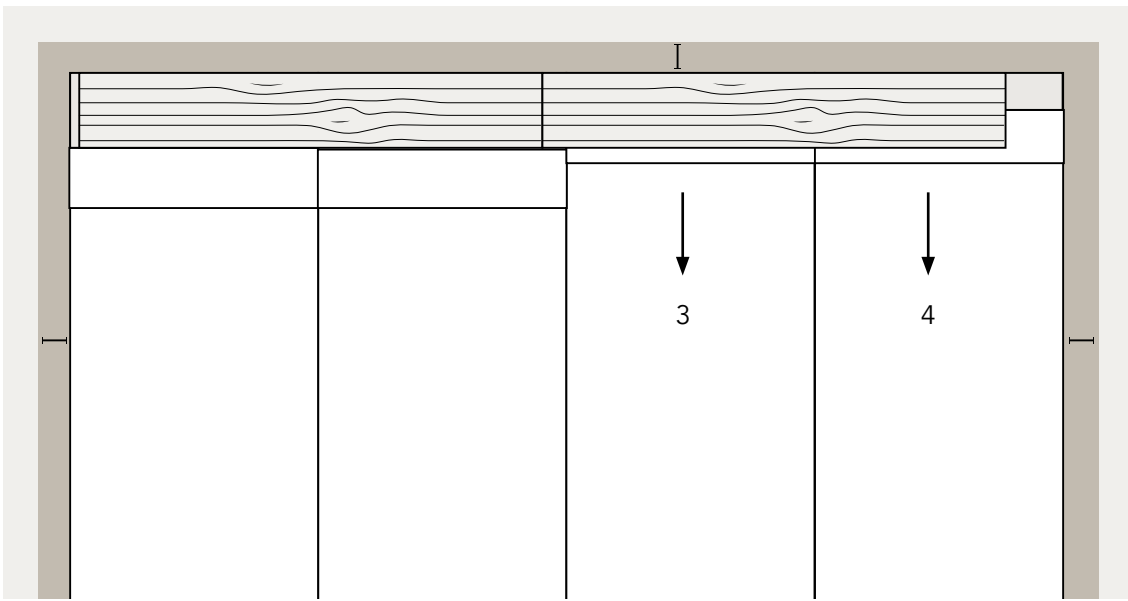


Figure 10:

- 7. Follow the same procedure in point 5 and 6 for board 3 to complete the row. Then continue the installation process from step 9 in the Wood Flooring Installation Instructions.

Narrow Plank

Plank

Wide Plank

Extra-Wide Plank

Super-Wide Plank





INSTALLATION OF: PLANKS - NAILED DOWN

There are 3 main methods for installing Ted Todd wood floor planks.

- Fully-Bonded (Glued down)
- Floating
- Nailed down
- Decide very early in the project what is the preferred installation method with due regard to the subfloor, the type of wood floor being installed and the end-use of the area of installation.
- Always check with the end-user that the correct product has been delivered and that they are happy with the grade and visual appearance of the floor. Open several packs at a time and mix the boards to ensure a good degree of board selection so the installation is visually well-balanced.
- Agree on the laying pattern and the orientation of the planks within each room. Normally the longest run of the room is the direction the planks should be laid, but do consider other factors such as lighting, windows and doors.
- Agree on the width balance of the planks in the room too.
- All installations should comply with BS8201.

6.1 Site Checks

Before commencing installation ensure the requirements have been met for:

- Jobsite Conditions, Moisture Testing and Acclimatisation (Chapter 1A, 1B and 1C).
- Ambient temperature range of 16 to 24°C.
- Ambient relative humidity of RH of 45 to 65%
- Subfloors, see Chapter 2 for a full check list.

6.2 Acceptable Sub Floors

- Wood-based panels, such as OSB, Plywood, Chipboard. Moisture content no more than 12% and no more than 2% difference with the wood floor.
- Concrete / Screed. For concrete screeds moisture content should not exceed 2% (calcium carbide measure) or RH of 65%. Anhydrite-based screeds with MC of no more than 0.5% (0.3% with UFH).
- Joists - 20mm products only. Always use a Sisalkraft type Builders Paper as a moisture barrier.
- Tiles – when flat.
- Subfloors must be Dry and Flat. See Chapter 2.



Narrow Plank



Plank



Wide Plank



Extra-Wide Plank



Super-Wide Plank





INSTALLATION OF: PLANKS - NAILED DOWN

6.3 Installation Guidelines, All Planks installations.

Choose a starting wall according to the most aesthetically or architecturally important elements in the room, taking into consideration fireplaces, doors, cabinets and transitions, as well as the squareness of the room. The starting wall will often be the longest unbroken wall in the room but do consider all other factors such as lighting. Do consider the width balance of the planks across the room too.

Remember that the floor must be allowed to expand and contract under the thresholds, skirting and other joint covers.

Door architraves can be undercut to allow for the floor planks to fit underneath and still permit the expansion and contraction of the planks.

Consider how the perimeter expansion gaps will be covered after installation. Skirting boards or scotia and other profiled shapes are available for this. They must be installed to allow for movement of the flooring planks below.

Plan to distribute lengths of planks in a fashion where the end joints are randomly staggered. Avoid "H" patterns (as below) and other discernible patterns in adjacent runs. Stagger end joints at least three times the width of the boards, as product allows.

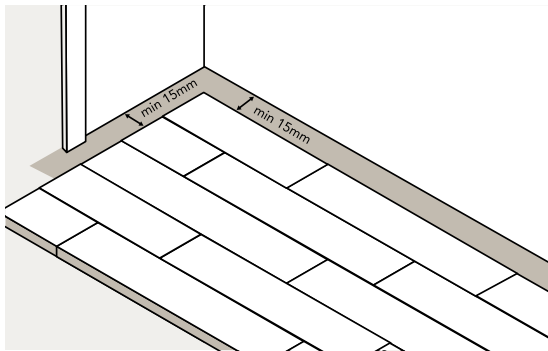


Figure 1: Leave a minimum of 15mm around the perimeter and all architectural details and obstructions

Where possible, expansion gaps must be left though doorways/archways and covered with T-sections to break up large areas of installation. A minimum expansion space of 15mm must be left around the perimeter and all vertical obstructions.

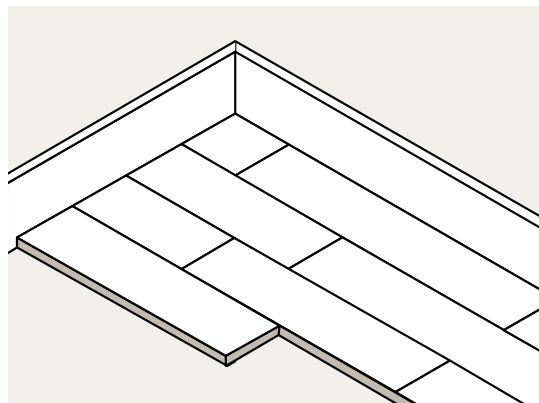


Figure 2: shows a typical arrangement of planks, using one offset to start a row and the other to finish.



Narrow Plank



Plank



Wide Plank



Extra-Wide Plank



Super-Wide Plank





INSTALLATION OF: PLANKS - NAILED DOWN

Use the offcut from the end of one row to start the next row.

Consider the width balance of the planks across the room. Plan ahead to ensure that opposite walls have approximately half-width planks to avoid narrow off-cuts which are difficult to install and can look odd.

For 2 and 3-layer engineered flooring there is frequently a bow within the board. This can be up to 1.5% of the board length and therefore it is important to ensure that the first rows are laid with the boards being interlocked to around half of the length. This will ensure the boards lie flat and permit installation.

6.4 Installation Guidelines, Ted Todd Planks.

Nail Down Method.

The advantages of this more-traditional method include faster installation by experienced crafts persons and in some cases lower installation costs. Some clients also prefer the feel look and sound of a nailed down floor. Nail down is often the best method if using solid hardwood flooring planks.

Ted Todd Plank floors can be nailed down or screwed to either wooden joists or battens, or to wood-based panel products such as 12mm plywood. Chipboard and OSB may also be used as a subfloor with minimum thickness of 18mm when used with suitable tongue screws.

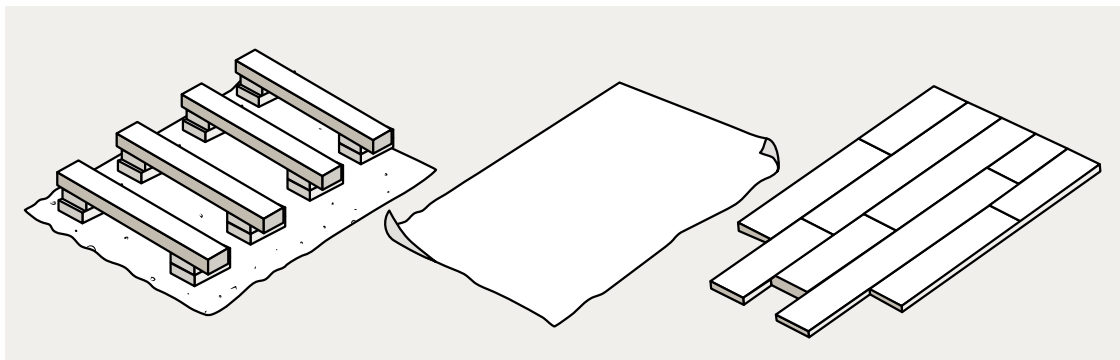


Figure 3: subfloor, joists, Siza kraft builders paper, wood floor planks



Narrow Plank



Plank



Wide Plank



Extra-Wide Plank



Super-Wide Plank





INSTALLATION OF: PLANKS - NAILED DOWN

For planks in excess of 250mm width it is recommended that a glue down (fully bonded) installation method be used. This is because with very wide planks, the number of nail fixings per m2 of flooring will be much lower than with narrower width planks.

If Ted Todd Plank floors are to be nailed down directly to existing wood floorboards, the flooring planks must be laid at 90 degrees or 45 degrees to the floorboards below. Alternatively add a layer of 12mm plywood to the existing wood floorboards.

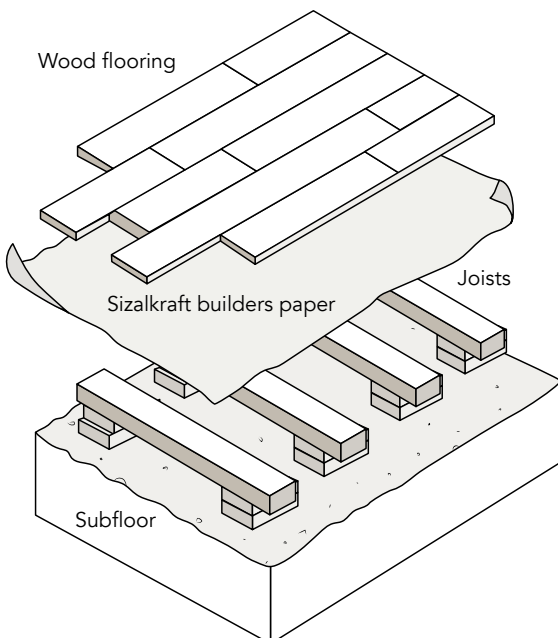
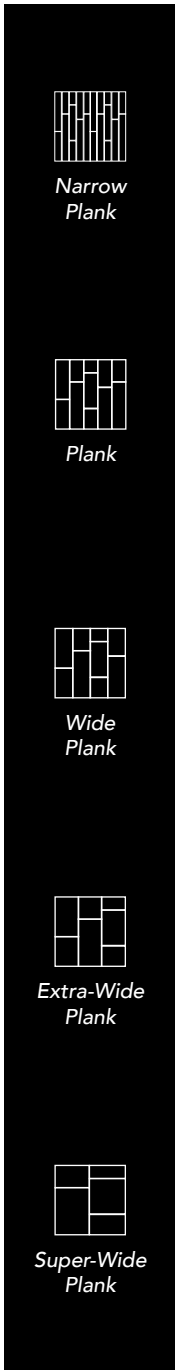


Figure 4: A typical nail down installation

Nail down installations are not recommended for installations with UFH. (See Chapters 13 for additional guidelines for installations with UFH).

6.4.1 Laying out and getting started.

- When nailing Ted Todd Planks to joists, always use a Sisalkraft Builders Paper. Overlap any seams by 100mm and return the edges up the wall to act as a moisture barrier. The floor planks should be nailed through the bitumen Builders Paper.
- When nailing to timber joists or battens, planks must be of a structural rating so, only use those Ted Todd Planks with a minimum thickness exceeding 18mm. Batten or joist centres must comply with local building regulations and depends upon the type of flooring being installed and the end use of the room / building.
- It is recommended to use a commercially available nail gun, either a manually driven nailer, or a pneumatic-type nailer. Always use nails specified for use with T&G flooring, so that the head of the nail will sit "secretly" within the nail pocket of the flooring planks and won't inhibit the joining of the next board. Nails should be at least 2.5 times the thickness of the flooring planks.
- The planks should be secret nailed through the tongue. It may be necessary on the first or last rows to top-nail, or nail through the groove to ensure the first and last rows sit tightly.





INSTALLATION OF: PLANKS - NAILED DOWN

- Following the guidelines in 3.0 to 3.3 above start laying out the planks on top of the subfloor, joists or underlay.
- Snap a working line parallel to the starting wall, the width of the board, plus the tongue and recommended expansion space.
- Use Spacers between the wall and the first row of flooring planks allowing for any taper or unevenness in the wall. This helps maintain the correct expansion gap and allows for the first row to be supported when installing or knocking together the T&G of following rows.
- Work by starting with the T&G groove nearest the wall and the tongue facing outwards.
- Secret nail the first row (hand-nail if necessary), using appropriate fasteners. Denser species may require pre-drilling. Each succeeding row should be secret-nailed through the tongue, at intervals wherever possible:
 - a. Joists / batten sub floors – Secret nail in each joist;
 - b. Plank or Panel sub floors – Nail every 200 – 300mm.
- Take care when nailing close (within 50mm) to the end of each board to avoid splitting the tongue.
- All Ted Todd Plank floors over 18mm are ends matched. When installing over joists or battens at 450mm centres there is no requirement to support head joints on a joist for normal domestic installations. If heavier point loading is expected all header joints should be supported by cutting the end-joint to align over a joist or batten.

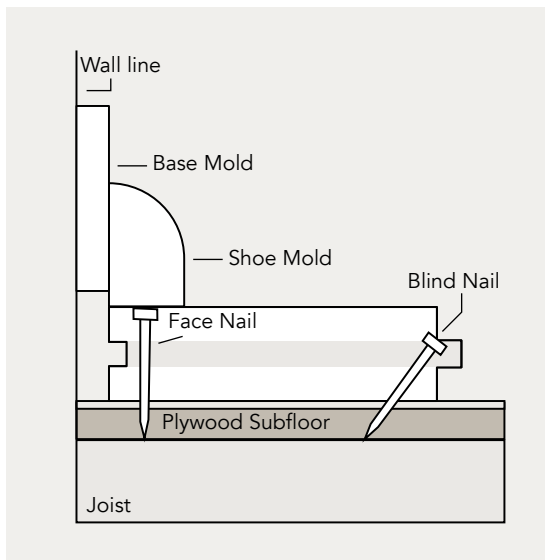


Figure 5: An example of a secret nailed floor.



Narrow Plank



Plank



Wide Plank



Extra-Wide Plank



Super-Wide Plank





INSTALLATION OF: PLANKS - NAILED DOWN

6.5 Summary

- Site checks, site ready for wood floor
- Temperature and humidity
- Subfloor and joists / battens correctly prepared, clean, dry, flat and level.
- Minimum thickness of 18mm when installed over joists or battens.
- Always use Sisalkraft Builders Paper as a moisture barrier when installing over joists.

6.6 Frequently Asked Questions

Is all of the above really necessary?

The success of a good wood floor installation depends upon many factors. In instances where things go wrong, the problems will almost certainly be traceable back to failure to correctly follow some of the guidelines listed above. Even in apparently simple installation projects all of the above points must be checked to ensure compliance.

What is the advantage of a nail-down installation?

Nail down is the traditional way of fixing down a wood floor. It is often faster and cheaper to install than more modern methods such as glue down or floating.



Narrow Plank



Plank



Wide Plank



Extra-Wide Plank



Super-Wide Plank





INSTALLATION OF: HERRINGBONE - FULLY BONDED

The main method recommended for installing Ted Todd Herringbone should be:

Fully-Bonded (Glued down) using Ted Todd MS Flex adhesive. Always check with the end-user that the correct product has been delivered and that they are happy with the grade and visual appearance of the floor. After acclimatizing, open several packs at a time and mix the pieces to ensure a good selection pieces so the installation is visually well-balanced.

- Agree on the laying pattern and the orientation of the pattern within each room. Normally the longest run of the room is the direction the pattern should be laid, but do consider other factors such as lighting, windows and doors.
- All installations should comply with BS8201.
- Please note that in any patterned installation, the normal expansion and contraction of the wood blocks through natural humidity change will be enough to cause small gaps in the installation. Please check with the end client that this is acceptable and that the end-client has seen the appropriate large-format display panels in a Ted Todd Partner showroom or elsewhere.
- If the end client requires an installation with a seamless accuracy, then the best results will be obtained by installing unfinished wood elements which can be filled and sanded after installation and finished on site.



Herringbone



Double Herringbone



Basketweave

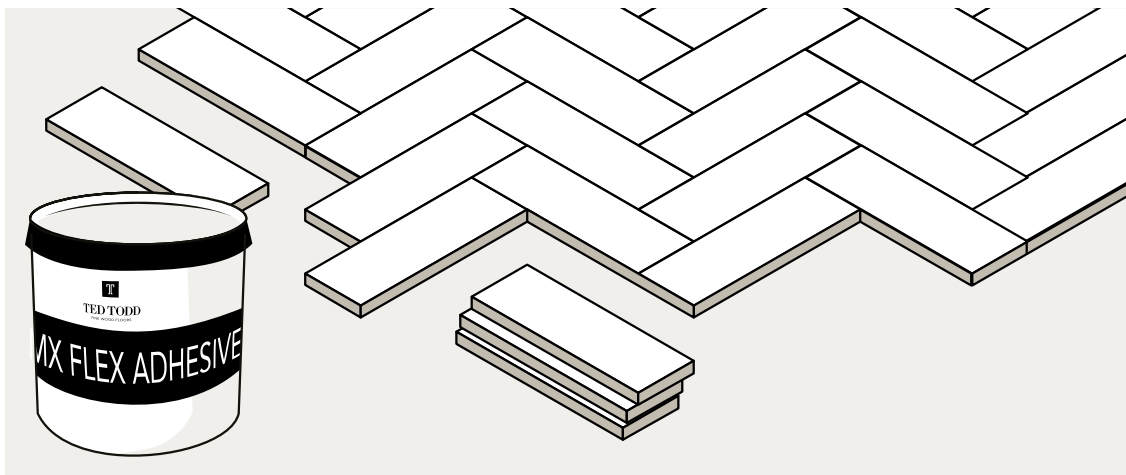


Figure 1: A typical herringbone arrangement, bonded down with MX Flex.





INSTALLATION OF: HERRINGBONE - FULLY BONDED

7.1 Site Checks

Before commencing installation ensure the requirements have been met for:

- Jobsite Conditions, Moisture Testing and Acclimatisation (Chapter 1A, 1B and 1C).
- Ambient temperature range of 16 to 24°C.
- Ambient relative humidity of RH of 45 to 65%
- Subfloors, see Chapter 2 for a full check list.

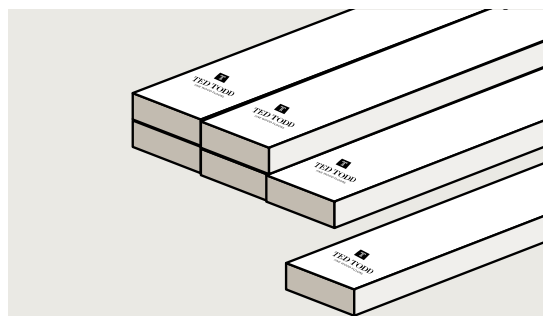
7.2 Acceptable Sub Floors

- For Wood based subfloors there should be no more than 12%MC and should be no more than +/- 2% Moisture Content difference to the Wood Flooring.
- Concrete / Screed. For concrete screeds moisture content should not exceed 2% (calcium carbide measure) or RH of 65%. Anhydrite-based screeds with MC of no more than 0.5% (0.3% with UFH).
- Tiles – when flat and overlaid with minimum 9mm ply
- Subfloors must be Dry and Flat. See Chapter 2.
- The flatness of subfloors is absolutely critical in obtaining a good installation when installing parquet flooring. Any unevenness in the subfloor can cause the pattern to run-out across the floor resulting in gaps between the elements.

7.3 Installation Guidelines, All Parquet installations.

7.3.1 Material check

- Please check that the correct product has been ordered and delivered
- It is important to understand any critical visual elements that are required – laying directions, staggering of joints, mixing of tones across a floor for example
- Please always inspect material to decide on how the material needs to be installed to meet the projects objectives, ie if certain elements are best positioned in particular locations
- It is vital that you ensure that the quantity of material you have is sufficient to complete the area you are installing. It is normal in all natural products for there to be some batch-to-batch variation and if you need to order another batch to complete the area please expect some variation.
- Also consider ordering planks or strip flooring to finish off the perimeter of the parquet pattern



Herringbone



Double Herringbone



Basketweave



INSTALLATION OF: HERRINGBONE - FULLY BONDED

7.3.2 Fixing method – only fully bonded

We only recommend fully bonded installation method for our patterns & panels floors

We only recommend Ted Todd MS Flex, this is a high tensile, high bond adhesive designed for high quality installations.

Ms flex should be evenly applied to a timber sub-floor with a 3mm notched trowel and to concrete and screeded floors with a 5mm notched trowel.



MX FLEX ADHESIVE: 1.45 Kg/Ltr. Coverage 700/1200 g/m² depending on the subfloor. Free from water, solvents, amines, epoxy resins and isocyanates. Suitable for underfloor heating.

Care should be taken to not get the adhesive on the finished face of the floor, as the adhesive is made to adhere and is therefore difficult to remove once dry.

If you do get it on the face, it should either be removed quickly or left to dry.

We do not recommend intermittent lines of adhesive, as this will not give you an adequate bond. Ms flex is a full spread adhesive and will give you an unrivalled bond across the whole floor.

Always open several packs at a time and mix the elements to ensure that the installation is visually well-balanced.

7.3.3 Other methods of fixing

We do not recommend floating installation for Herringbone as it can be difficult to avoid gaps between elements if the patterns run-out.

However a high-grab adhesive underlay, such as Ted Todd Universal Bond may be used for straightforward Herringbone patterns. See Chapter 8 for instructions on using Universal Bond high-grab underlay.

7.3.4 Subfloor Priming

It is good practise to prime prepared screeded and concrete floors with Ted Todd Primerfast.

A single coat of Primerfast aids the spread and adhesion of the MS Flex full bond adhesive. However a second coat of Primerfast, for use where there is no underfloor heating, provides a moisture barrier too.

Primerfast dries within an hour and the installation can commence using Ms Flex full bond adhesive.



PRIMERFAST: Application with nylon roller, coverage 6kg tub =120-450g/m². Suitable for underfloor heating. Single coat. Fast drying within 45-50min



Herringbone



Double Herringbone



Basketweave



INSTALLATION OF: HERRINGBONE - FULLY BONDED

7.3.5 Expansion

Expansion and contraction of patterned floors is more even in direction when compared to Plank floors.

Plank floors move predominantly across the width, but patterned floors which have different elements, or wood pieces, laid with the grain in different orientations move more evenly across the room.

A minimum expansion space of 15mm must be left around all of the perimeter and round all obstructions.

7.3.6 Herringbone Pattern Layouts.

A key factor is how the floor is laid out across the space it will be installed in.

The laying direction and the mapping of the pattern within the space is also very important.

The standard approach is for the centre line in the space to be the starting point, with the floor installed down this line and then working out to the perimeter.

But this may not always be the best approach and understanding where the pattern finishes on the perimeters may dictate that it makes more sense to move the layout away from the centre line to achieve a better finish point of the pattern around the perimeters.



Herringbone



Double Herringbone



Basketweave

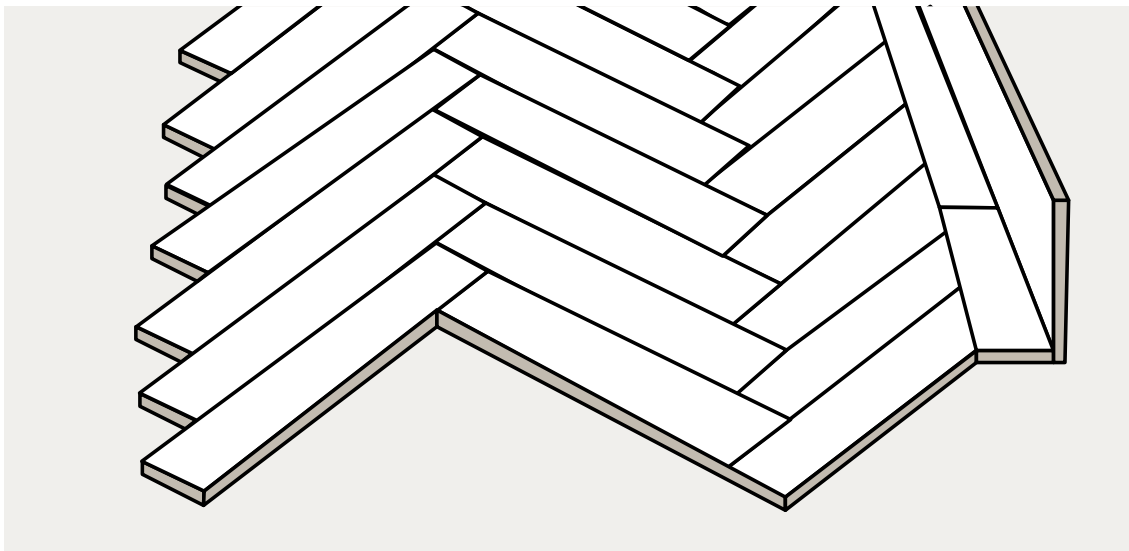


Figure 2: consider the use of planks or narrow plank flooring to finish the perimeter of the pattern





INSTALLATION OF: HERRINGBONE - FULLY BONDED

Also consider the use of planks or narrow plank flooring to finish the perimeter of the pattern.

Designing layouts in CAD can be time well spent for highly complex installations, especially where borders are incorporated into the floor.

Do remember:-

- Where possible, expansion gaps must be left though doorways/archways and covered with T-sections to break up large areas of installation. A minimum expansion space of 15mm must be left around the perimeter and all vertical obstructions.
- Remember that the floor must be allowed to expand and contract under the thresholds, skirting and other joint covers.
- Door architraves can be undercut to allow for the floor elements to fit underneath and still permit the expansion and contraction of the floor.
- Consider how the perimeter expansion

gaps will be covered after installation. Skirting boards or scotia and other profiled shapes are available for this. They must be installed to allow for movement of the flooring below.

- For installations with Under Floor Heating we recommend the use of the Ted Todd Fidboxes for monitoring the temperature and humidity conditions inside the wood floor. See Chapter 13 for detailed information.



Herringbone



Double Herringbone



Basketweave





INSTALLATION OF: HERRINGBONE - FULLY BONDED

7.4 Guidance on how to set out your floor.

7.4.1 How to achieve a square layout from the Centre of the Room

Start by snapping a chalk line through the centre of the room (line Y).

The next line (X) must be exactly 90 degrees to line Y to form a perfect square corner. See figure 3 below.

To ensure this angle, do the following:

- From the centre point (A) of line Y, measure 800mm along line Y and mark that point (B); From the same centre point, measure 600mm in the general direction of where line X will be and scribe an arc.
- Return to the original 800mm mark on line Y and measure 1000mm, scribing an arc that crosses (point C) the 600mm arc you made in the previous step (double check for accuracy by following a similar measurement and arc-scribing process on the other side of line Y and the opposite side from the expected position of line X)
- Snap a chalk line through the conjunction of the two arcs at point C and the centre point of line Y. This will be line X, at an exact 90-degree angle to line Y.



Herringbone



Double Herringbone



Basketweave

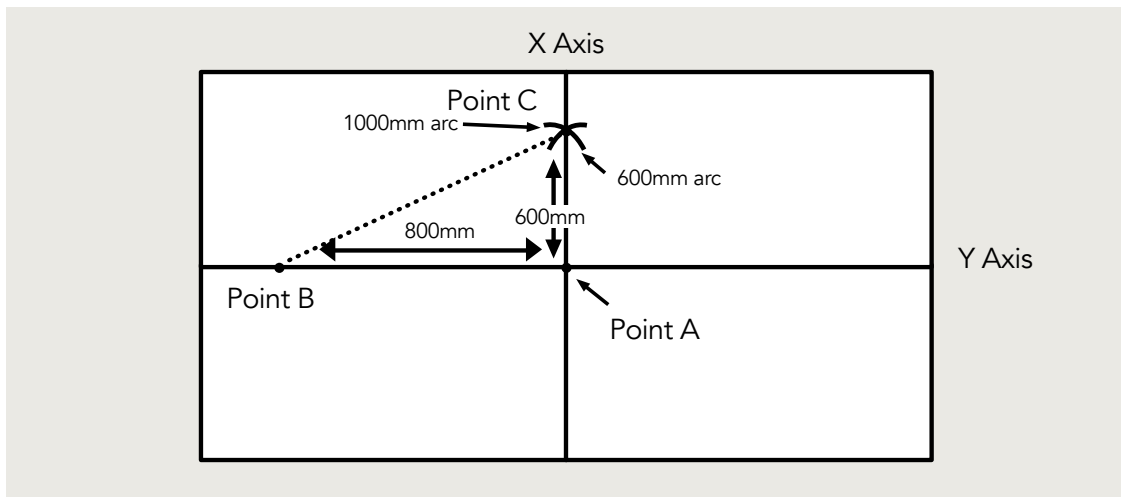


Figure 3: How to achieve a square layout from the Centre of the Room





INSTALLATION OF: HERRINGBONE - FULLY BONDED

7.4.2 How to achieve a diagonal Layout from the Centre of the Room

From the centre point, measure 800mm down in each direction on lines X and Y, which you have already determined by the method described above.

From each of these points, measure 800mm and scribe an arc. The conjunction of these arcs creates points D and E. Snap a chalk line between points D and E, and the centre point. This line represents a 45 degree angle. See figure 4 below.

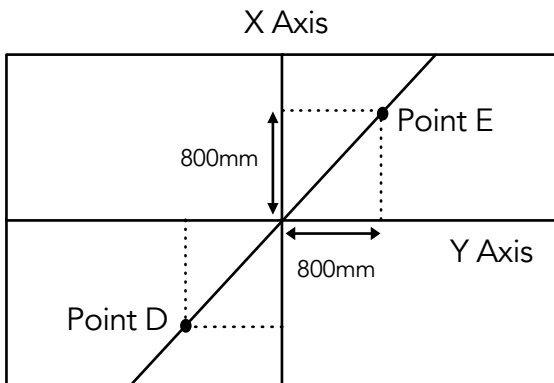


Figure 4: How to achieve a diagonal layout from the Centre of the Room

7.4.3 Installation of Herringbone Using Square or Diagonal Layout

Use reference lines throughout the area that is being installed as shown in figure 5

For basket weave and similar patterns the multiple of the width should equal the exact length of the piece. If the width of the product varies, this will cause separations at the end of the herringbone pieces. Herringbone parquet can be laid out parallel or at a 45-degree angle to the room. Regardless of direction, Herringbone parquet will require a centreline and two working lines (See Figure 5). Begin by laying out a few alternating slats. Snap lines A & B through the corners of the alternating slats (See Figure 5) Measure the distance from Line A to Line B. Line C should be 1/2 that distance and run parallel to Lines A & B. The centreline of the room and the centre of the pattern is represented by Line C.

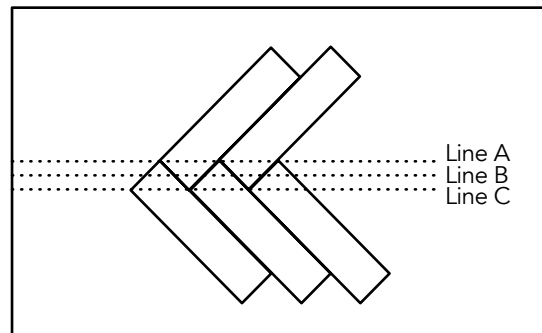


Figure 5: Installation of Herringbone using square or diagonal layout



Herringbone



Double Herringbone



Basketweave





INSTALLATION OF: HERRINGBONE - FULLY BONDED

7.4.4 Alternative Herringbone Installation Using Square or Diagonal Layout

To begin installation on working Line B (See Figure 6), cut a square piece of plywood the size of the herringbone pattern. For example, if the herringbone pattern is 70mm by 230mm, cut a 230mm x 230mm square of plywood.

Fasten the piece of plywood at your starting point on Line B, with one corner of the square pointing in the direction of the pattern.

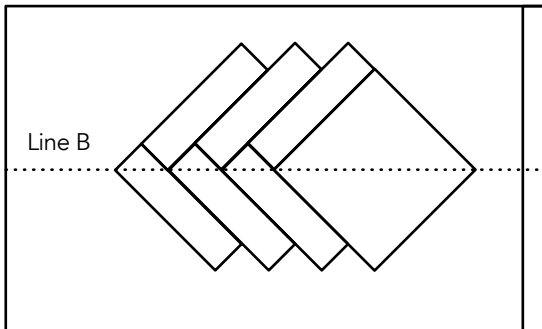


Figure 6: How to achieve a diagonal layout from the Centre of the Room

7.4.5 Square Layout from the Wall (See Figure 7)

Panels or basket weave parquet can be laid wall to wall without Centring the product in the room. The results will not be balanced but the products have no edge treatment to delineate the difference in sizes when unbalanced. More intricate patterns generally require the flooring to be centred.

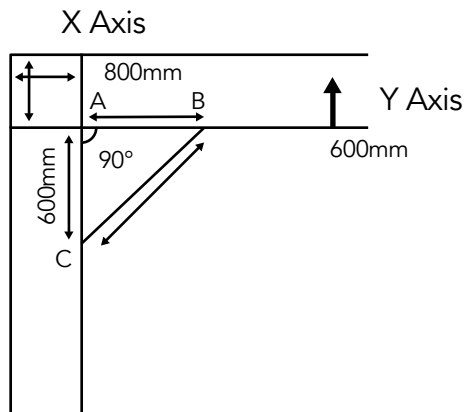


Figure 7: Square Layout from the Wall



Herringbone



Double Herringbone



Basketweave





INSTALLATION OF: HERRINGBONE - FULLY BONDED

If the room dimensions allow, in at least two places from the corner, measure out and establish a chalk line parallel to and the width of 2 panels plus 15mm away from the starting wall opposite the entrance doorway.

Start by snapping a chalk line and the width of 2 panels plus 13mm from the starting wall, opposite the entrance doorway (Line Y). The next line (X) must be exactly 90° to Line Y to form a perfect square corner. To ensure this angle:

Measure and the width of 2 panels plus 13mm along Line Y from the right-angle wall and mark it Point A. From Point A, measure 800mm along Line Y and mark that Point B.

From Point A, measure 600mm in the general direction of where line X will be and scribe an arc.

From Point B measure 1000mm, scribing an arc that crosses Point C. Verify all measurements before proceeding.

If correct, snap a chalk line through Point A and the conjunction of the two arcs at point C. This will be Line X, at an exact 90° angle to Line Y

Make any necessary adjustments to allow for walls out of square before proceeding.

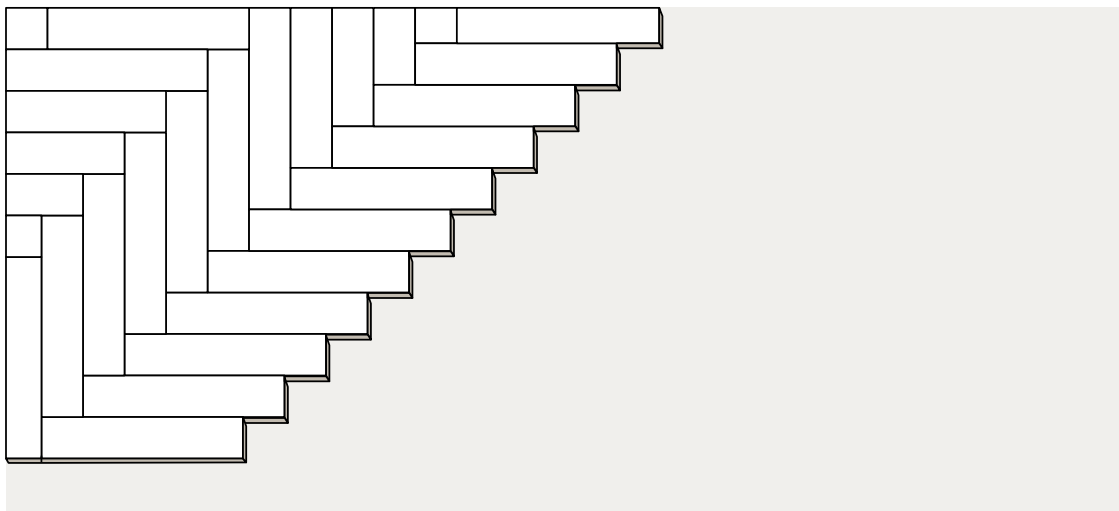


Figure 8: Square Layout from the Wall



Herringbone



Double Herringbone



Basketweave





INSTALLATION OF: HERRINGBONE - FULLY BONDED

7.4.6 Installation Using Wall Layout

For patterns such as basket weave, the pattern can run out if installed wall to wall without checking for fitting tolerances.

To avoid this, it is recommend fitting the blocks in a 5 x 5 pyramid pattern which will allow you to keep a constant check to ensure the pattern is not running out.

After setting out as described above build the pattern as shown. Once the pattern has been completed continue repeating this pattern across the floor.

The border can be completed along with the main area or left for completion after the main area has cured, when completing this area use a staggered pattern as shown.

After both chalk lines (at 90 degrees to each other) have been snapped, start spreading the Ted Todd MS Flex adhesive in the area to be Installed.

Continue spreading the adhesive in the working area. Be careful not to spread adhesive beyond the chalk line.

Immediately lay the product on the newly spread adhesive.



Herringbone



Double Herringbone



Basketweave

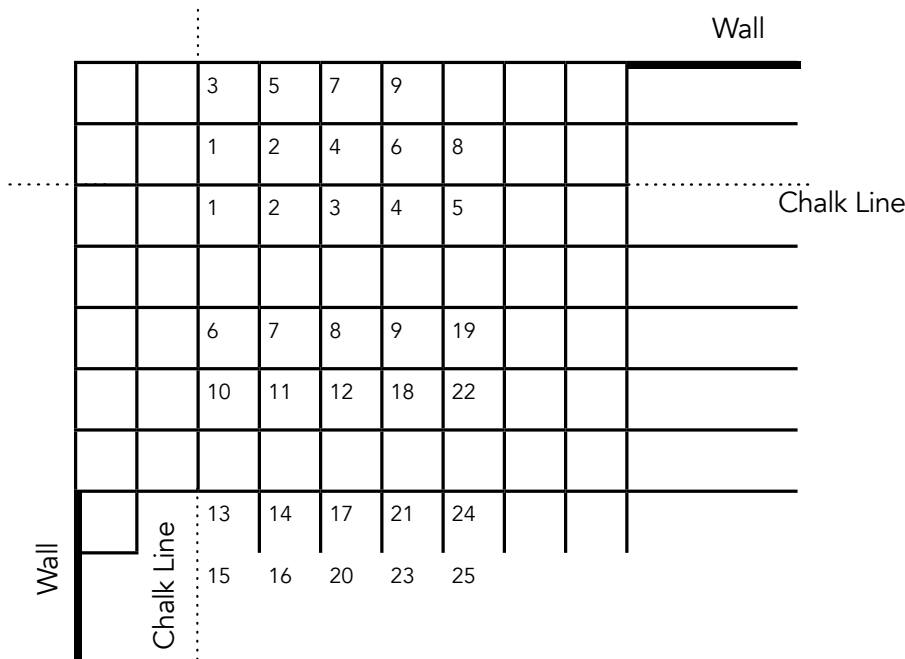


Figure 9: Installation Using Wall Layout





INSTALLATION OF: HERRINGBONE - FULLY BONDED

7.5 Summary

- Subfloor preparation must be flat to a high degree.
- Fully bonded (glue down) installation.
- Layout and planning of the pattern is critical.
- Mark out the room to locate the centre and mark out the starting line.

7.6 FAQ's

Is all of the above really necessary?

The success of a good wood floor installation depends upon many factors. In instances where things go wrong, the problems will almost certainly be traceable back to failure to correctly follow some of the guidelines listed above. Even in apparently simple installation projects all of the above points must be checked to ensure compliance.

In any wood floor installation there will always be small tolerances at the edges of the T&G's (known as Lipping). Any lipping in a pre-finished floor is usually not noticed because of the rounded edges or bevels. In an unfinished block installation, the edges between the blocks may be square and after installation the complete surface will be sanded before a final surface finish is applied. This means that the edges between the block elements will be perfectly smooth.



Herringbone



*Double
Herringbone*



Basketweave





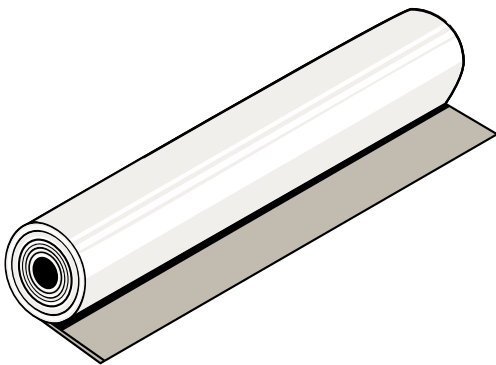
INSTALLATION OF: HERRINGBONE - UNIVERSAL BOND

UNIVERSAL BOND

Pack Size	Thickness	Sound Resistance	Under-Floor heating
10m ²	3mm	up to 23db	Compatible
10m ²	5mm	up to 26db	Not Compatible

About Universal Bond

Universal Bond 3mm/5mm high-grab self-adhesive underlay which reduces installation times and sub-floor preparation times are significantly reduced. Ideal for access flooring applications. It is extremely stable, durable and non-collapsing. Perfect for when bonded solution is needed but with the ability to be lifted later. Quick to fit, easy to work with.



- Rapid installation, moisture barrier foil.
- 100% recycled high density rubber crumb.
- In a 20m roll this PET foil has a huge vapour resistance SD value of 150 - much higher than any similar thickness products.
- Perfect for use with underlays with no built-in moisture barriers.
- Ideal for use on indoor sites as a dust or paint protection cover.
- 23dB impact sound resistance noise rating (3mm), 26dB (5mm).
- SR1 level floor required for herringbone.
- Extremely stable, durable and non-collapsing.
- 3mm suitable for underfloor heating.



Herringbone



Double Herringbone



Basketweave





INSTALLATION OF: HERRINGBONE - UNIVERSAL BOND

- 1. Create a crown line panel for the herringbone pattern, bonding boards together by gluing the tongue and groove joints with a suitable adhesive. Bond together 6 boards each side of the centre line and allow time for the adhesive to fully set.

This will create the starting point for the herringbone design installation on Universal Bond. While the adhesive is curing in the crown line panel, install Universal Bond perpendicular to the direction of the crown line throughout the area to be installed.

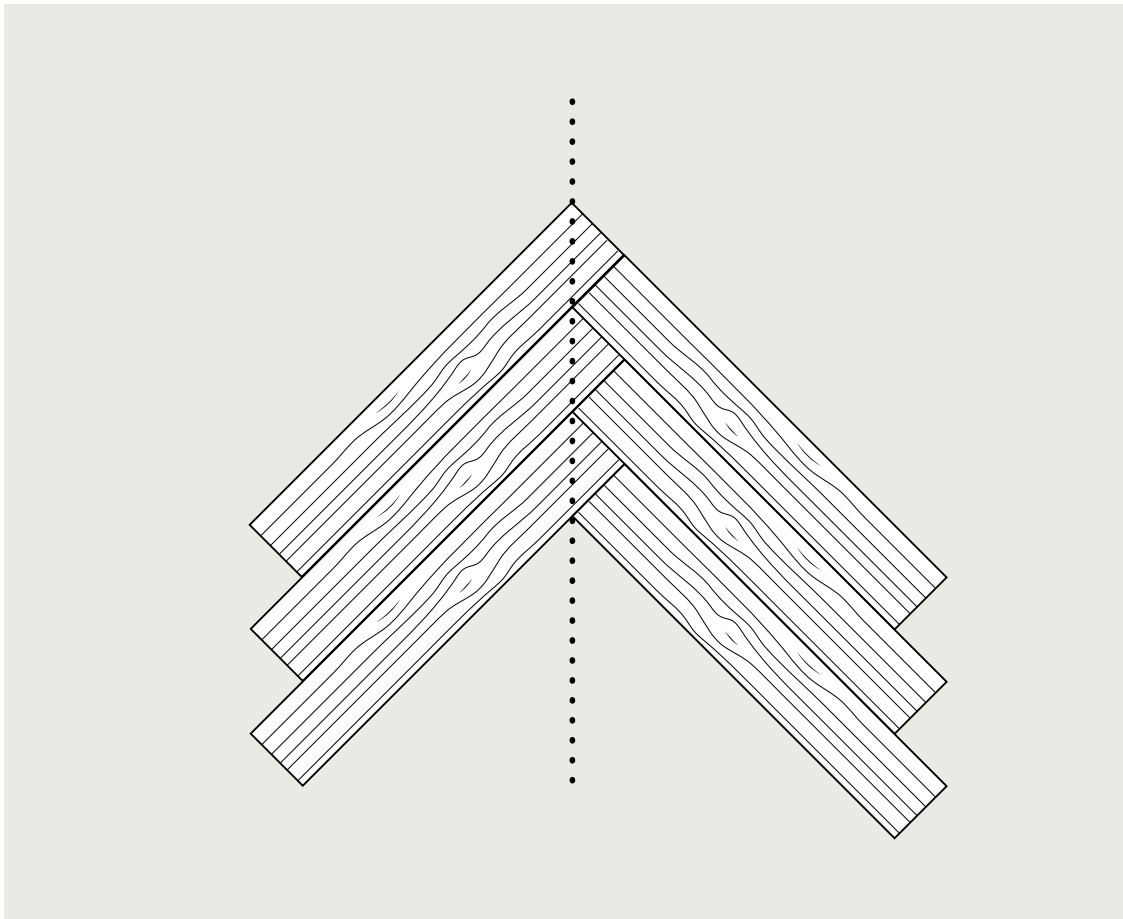


Figure 1: Glue together the tongue and groove of 6 boards each side of the centre line to act as a starting point.



Herringbone



Double
Herringbone



Basketweave





INSTALLATION OF: HERRINGBONE - UNIVERSAL BOND

- 2. Once the Universal Bond product is laid throughout the area to be installed, carefully cut a centre line through the release film (see dotted line below), which will form the location point for the crown line panel.

Avoid cutting through the scrim below the adhesive layer as this will compromise the strength of the Universal Bond underlay system. Next pull back the release film to expose about 150mm of the adhesive layer on each side of the centre line.

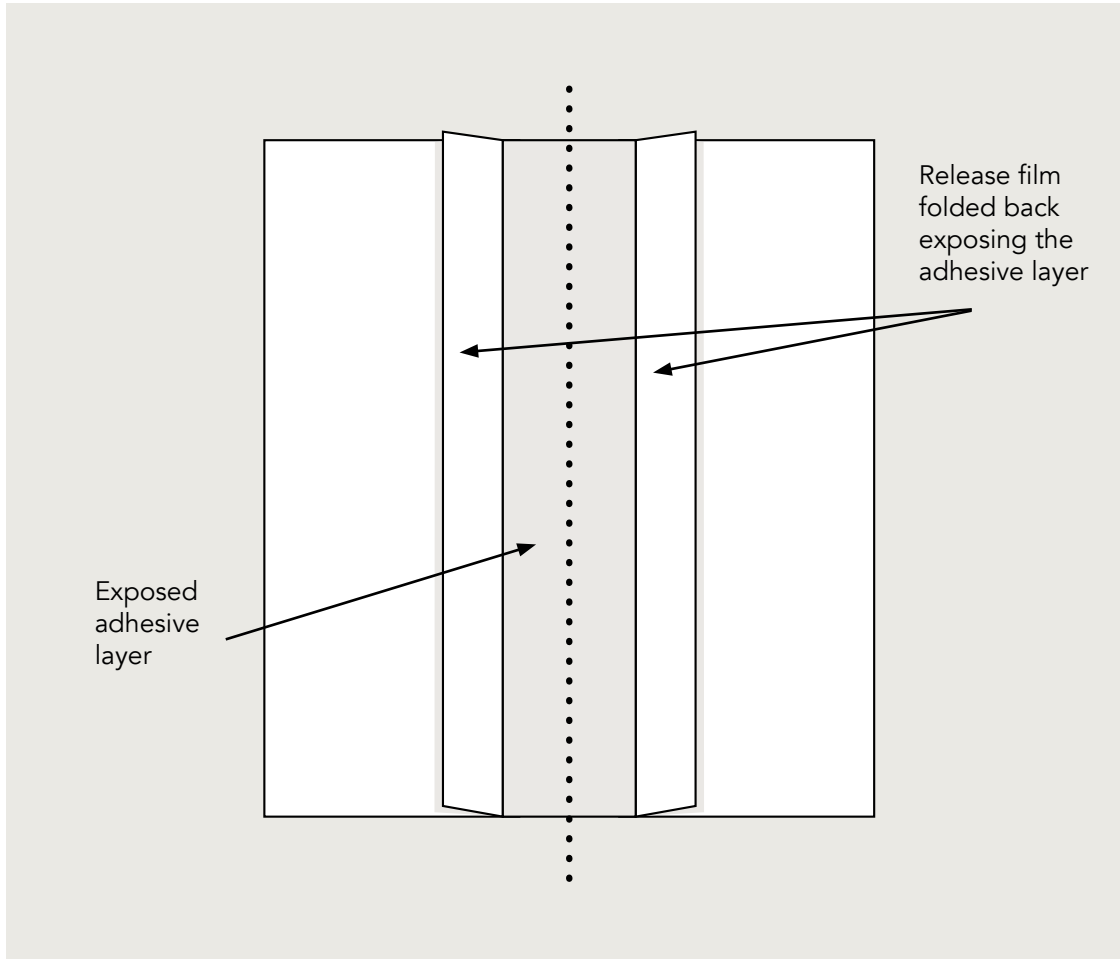


Figure 2: Next cut the release paper down the centre and pull back the release film to expose about 150mm of the adhesive layer on each side of the centre line.



Herringbone



Double
Herringbone



Basketweave





INSTALLATION OF: HERRINGBONE - UNIVERSAL BOND

- 3. Set the crown line panel onto the exposed adhesive layer of the Universal Bond product. Once located accurately, apply good pressure to the boards to ensure that the pressure sensitive adhesive has been fully activated.

This crown line can be continued directly on the adhesive by using an atomiser to spray a water mist over the adhesive which momentarily deactivates the adhesive grab. Install each board (see arrow A) over this area, the deactivated adhesive will allow for the positioning of the boards, and press down firmly once the located correctly to secure in position.

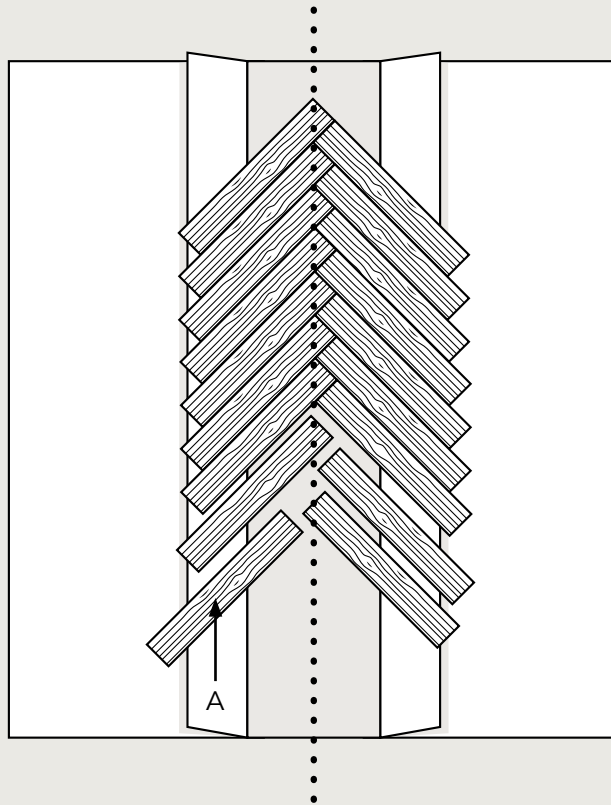


Figure 3: Secure the crown to the centre line, directly onto the exposed adhesive. Continue to build out onto the adhesive layer.



Herringbone



Double
Herringbone



Basketweave





INSTALLATION OF: HERRINGBONE - UNIVERSAL BOND

- 4. On completion of the crown line continue to lay the boards by installing on the release film (see arrow B) and once correctly located gently pull the release film (see arrow C) from under the boards to secure in place.

Always press each board firmly into the exposed adhesive to ensure good adhesion and to avoid boards moving out of place.

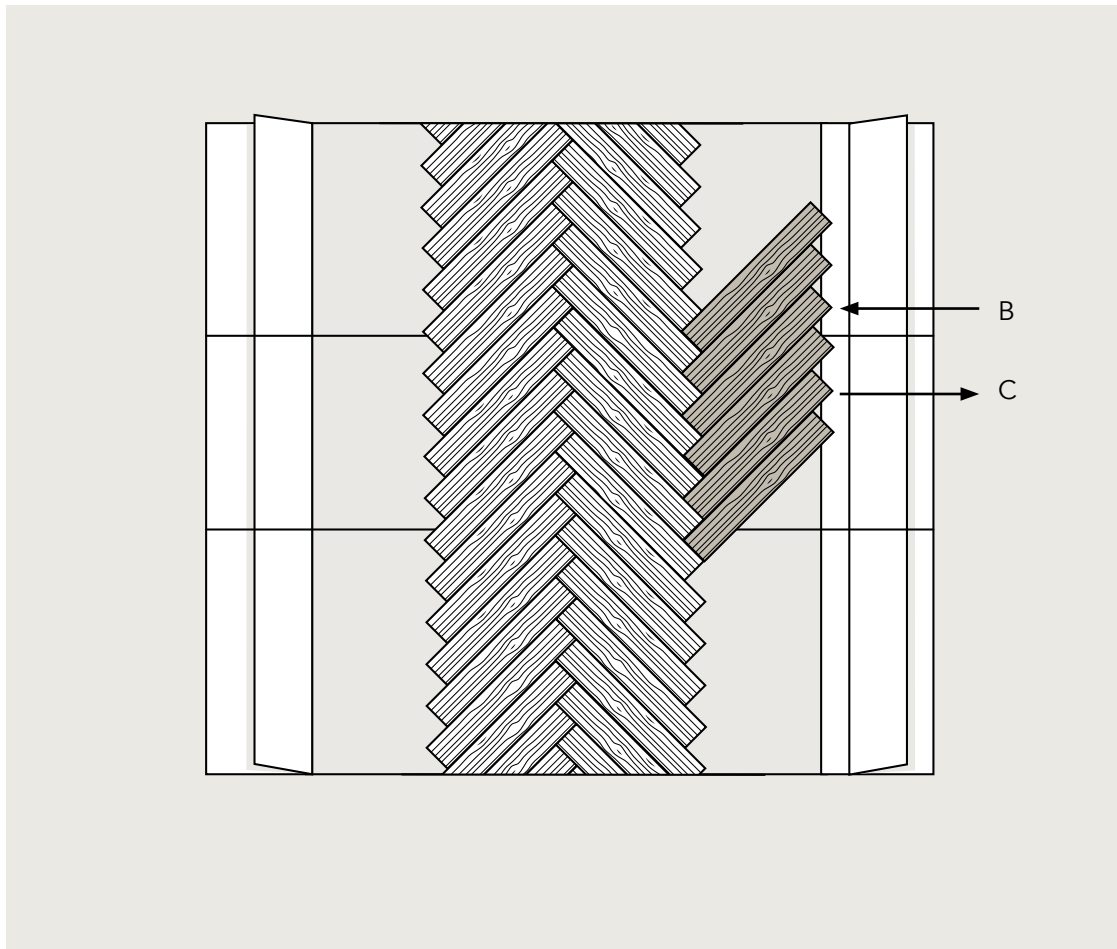


Figure 4: On completion of the crown line continue to lay the boards by installing on the release film



Herringbone



Double
Herringbone



Basketweave





INSTALLATION OF: CHEVRONS - FULLY BONDED

The main method recommended for installing Ted Todd Chevron should be:

Fully-Bonded (Glued down) using Ted Todd MS Flex adhesive.

It is also possible to use Ted Todd Universal Bond, high-grab underlay. See Chapter 10.

Always check with the end-user that the correct product has been delivered and that they are happy with the grade and visual appearance of the floor. Open several packs at a time and mix the pieces to ensure a good selection pieces so the installation is visually well-balanced.

- Agree on the laying pattern and the orientation of the pattern within each room. Normally the longest run of the room is the direction the pattern should be laid, but do consider other factors such as lighting, windows and doors.
- All installations should comply with BS8201.

9.1 Site Checks

Before commencing installation ensure the requirements have been met for:

- Jobsite Conditions, Moisture Testing and Acclimatisation (Chapter 1A, 1B and 1C).
- Ambient temperature range of 16 to 24°C.
- Ambient relative humidity of RH of 45 to 65%
- Subfloors, see Chapter 2 for a full check list.



Chevron

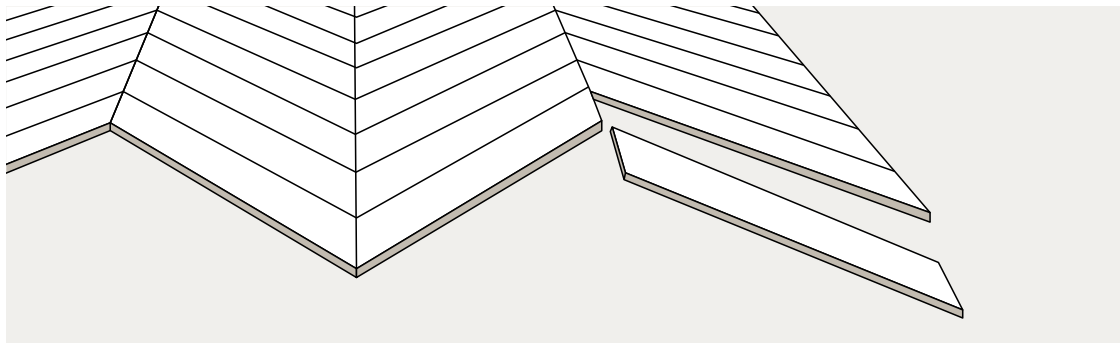


Figure 1: A typical chevron arrangement, bonded down with MX Flex.





INSTALLATION OF: CHEVRONS - FULLY BONDED

9.2 Acceptable Sub Floors

- For Wood based subfloors there should be no more than 12%MC and should be no more than +/- 2% Moisture Content difference to the Wood Flooring.
- Concrete / Screed. For concrete screeds moisture content should not exceed 2% (calcium carbide measure) or RH of 65%. Anhydrite-based screeds with MC of no more than 0.5% (0.3% with UFH).
- Tiles – when flat and overlaid with minimum 9mm ply
- Subfloors must be Dry and Flat. See Chapter 2.
- The flatness of subfloors is absolutely critical in obtaining a good installation when installing Chevron flooring. Any unevenness in the subfloor can cause the pattern to run-out across the floor resulting in gaps between the elements.

9.3 Installation Guidelines, All Parquet installations.

9.3.1 Material check

- Please check that the correct product has been ordered and delivered
- It is important to understand any critical visual elements that are required – laying directions, staggering of joints, mixing of tones across a floor for example
- Please always inspect material to decide on how the material needs to be installed to meet the projects objectives, ie if certain elements are best positioned in particular locations
- It is vital that you ensure that the quantity of material you have is sufficient to complete the area you are installing. It is normal in all natural products for there to be some batch-to-batch variation and if you need to order another batch to complete the area please expect some variation.
- Also consider ordering planks or strip flooring to finish off the perimeter of the parquet pattern



Chevron





INSTALLATION OF: CHEVRONS - FULLY BONDED

9.3.2 Fixing method – only fully bonded

We only recommend fully bonded installation method for our patterns & panels floors

We only recommend Ted Todd MS Flex, this is a high tensile, high bond adhesive designed for high quality installations.

Ms flex should be evenly applied to a timber sub-floor with a 3mm notched trowel and to concrete and screeded floors with a 5mm notched trowel.

Care should be taken to not get the adhesive on the finished face of the floor, as the adhesive is made to adhere and is therefore difficult to remove once dry.

If you do get it on the face, it should either be removed quickly or left to dry.

We do not recommend intermittent lines of adhesive, as this will not give you an adequate bond. Ms flex is a full spread adhesive and will give you an unrivalled bond across the whole floor.

Always open several packs at a time and mix the elements to ensure that the installation is visually well-balanced.

9.3.3 Other methods of fixing

We do not recommend floating installation for Chevron as it can be difficult to avoid gaps between elements if the patterns run-out.

However a high-grab adhesive underlay, such as Ted Todd Universal Bond may be used for straightforward Chevron patterns. See chapter 10 for instructions on using Universal Bond high-grab underlay.

9.3.4 Subfloor Priming

It is good practise to prime prepared screeded and concrete floors with Ted Todd Primerfast.

A single coat of Primerfast aids the spread and adhesion of the MS Flex full bond adhesive. However a second coat of Primerfast, for use where there is no underfloor heating, provides a moisture barrier too.

Primerfast dries within an hour and the installation can commence using Ms Flex full bond adhesive.



Chevron

PRIMERFAST: Application with nylon roller, coverage 6kg tub =120-450g/m². Suitable for underfloor heating. Single coat. Fast drying within 45-50min

MX FLEX ADHESIVE: 1.45 Kg/Ltr. Coverage 700/1200 g/m² depending on the subfloor. free from water, solvents, amines, epoxy resins and isocyanates. Suitable for underfloor heating.





INSTALLATION OF: CHEVRONS - FULLY BONDED

9.3.5 Expansion

Expansion and contraction of patterned floors is more even in direction when compared to Plank floors.

Plank floors move predominantly across the width, but patterned floors which have different elements, or wood pieces, laid with the grain in different orientations move more evenly across the room.

A minimum expansion space of 15mm must be left around all of the perimeter and round all obstructions.

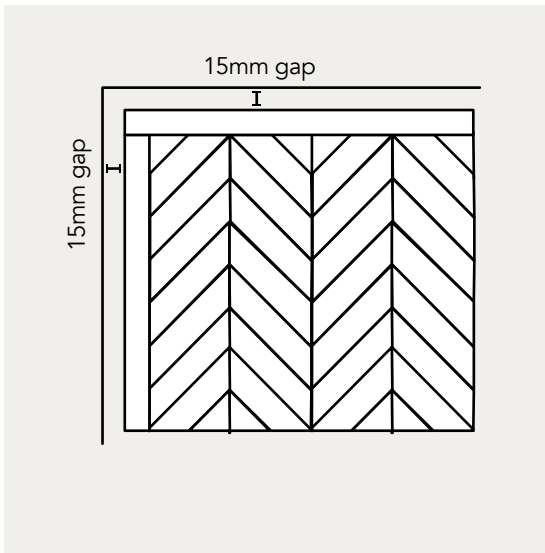


Figure 2: Consider the use of planks to finish the perimeter and always maintain a 15mm gap from any walls or obstructions to allow for natural expansion of the wood.

9.3.6 Chevron Pattern Layouts.

A key factor is how the floor is laid out across the space it will be installed in.

The laying direction and the mapping of the pattern within the space is also very important.

The standard approach is for the centre line in the space to be the starting point, with the floor installed down this line and then working out to the perimeter.

But this may not always be the best approach and understanding where the pattern finishes on the perimeters may dictate that it makes more sense to move the layout away from the centre line to achieve a better finish point of the pattern around the perimeters.

Also consider the use of planks or narrow plank flooring to finish the perimeter of the pattern.

Designing layouts in CAD can be time well spent for highly complex installations, especially where borders are incorporated into the floor.



Chevron





INSTALLATION OF: CHEVRONS - FULLY BONDED

Do remember:

- Where possible, expansion gaps must be left though doorways/archways and covered with T-sections to break up large areas of installation. A minimum expansion space of 15mm must be left around the perimeter and all vertical obstructions.
- Remember that the floor must be allowed to expand and contract under the thresholds, skirting and other joint covers.
- Door architraves can be undercut to allow for the floor elements to fit underneath and still permit the expansion and contraction of the floor.
- Consider how the perimeter expansion gaps will be covered after installation. Skirting boards or scotia and other profiled shapes are available for this. They must be installed to allow for movement of the flooring below.
- For installations with Under Floor Heating we recommend the use of the Ted Todd Fidboxes for monitoring the temperature and humidity conditions inside the wood floor. See Chapter 13 for detailed information.

9.4 Guidance on how to set out your floor

Chevron Nuances

9.4.1 Overview

The evenness of the subfloor is critical for all Chevron floors.

The end of each Chevron element is produced at an angle to a fish tail type design and these joints all need to line up.

For most Chevron installation the floor is laid out from the centre line. Care should also be taken to consider the starting position in this line as it will determine the finishing point of the Chevron along the length of the room.

Historic style Chevron floors and modern often differ in their objectives with the prior accepting a more open, natural feel. These objectives should be considered at both the specification and installation stage, as some floors lend themselves far better to achieving a seamless outcome than others. This is especially the case with handmade chevrons when compared to machine made.

Installation of Chevron requires a high degree of technical ability and should only be performed by a qualified and experienced professional wood floor installer.

It is not suitable as a DIY project nor suitable for installation by joiners or builders unless they are fully qualified professional wood floor installers.



Chevron





INSTALLATION OF: CHEVRONS - FULLY BONDED

Site conditions must be perfect and fully comply with the guidelines in Chapter 1A - Site Planning, Chapter 1B - Acclimatisation, Chapter 1C - Moisture measurement, Chapter 2 - Subfloors.

It is very rare for installation problems not to be traced back to an inadequately levelled sub floor, given that they mostly relate to out of line installation.

9.4.2 Accuracy

Please note that in any chevron installation, the normal expansion and contraction of the wood blocks through natural humidity change will be enough to cause small gaps in the installation.

This situation is particularly apparent with any installation of pre-finished chevron wood blocks. Please check with the end client that this is acceptable and that the end-client has seen the appropriate large-format display panels in a Ted Todd Partner showroom or elsewhere.

If the end client requires a chevron installation with a seamless accuracy, then the best results will be obtained by installing unfinished chevron blocks which can be filled and sanded after installation and finished on site.

9.4.3 Chevron Installation considerations.

Please note that the chevron blocks will be either Left-Handed or Right-Handed.

We normally deliver these in opposite pairs in the same pack, or the left and right-handed pieces in the separate packs.

Determine the layout for the floor and the direction the pattern will run. Once the sub-floor preparation is complete, mark the centre lines or angled lines in accordance with section TT website installation guidelines page 22 diagrams 3 and 4



Chevron

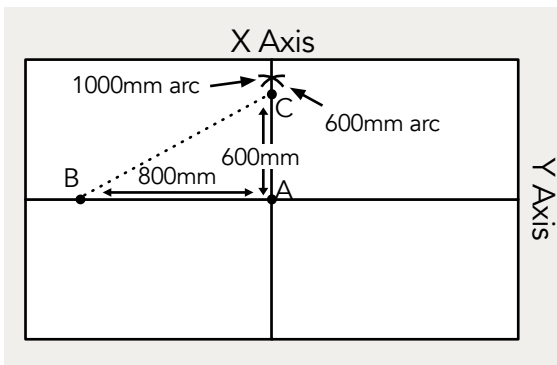


Figure 3: From point A (the centre of the room) measure 800mm to point B and 600mm to point c, scribing an arc to act as a guide.

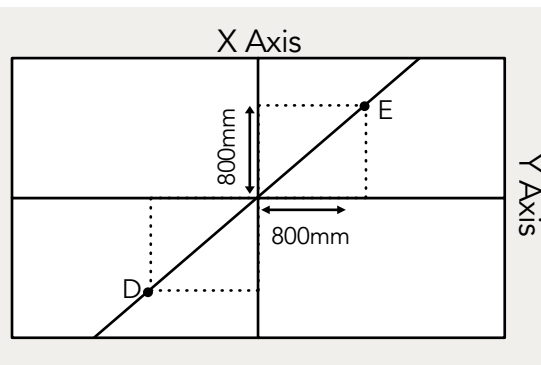


Figure 4: Measure 800mm from the center up and across. Scribe arcs to create points D and E. Join points D to E to form a 45° angle.





INSTALLATION OF: CHEVRONS - FULLY BONDED

Precise measurements are essential when laying a chevron pattern. Verify measurements and check row alignment frequently to ensure the pattern is being laid accurately and evenly.

To use as a guide to begin the installation, prepare a perfectly square piece of plywood 500mm x 500mm.

Select your starting area in the middle of the room and affix the plywood guide to the sub-floor in a diamond position with the top and bottom points aligned with the centre line. (See Figure 5 below)

Open several packs of the chevron blocks, inspect the boards and loose lay the first section of flooring, both left and right sides. Ensure that the pattern is correct, that the points meet cleanly and that the short lengths make a perfectly straight line following the chalk line



Chevron

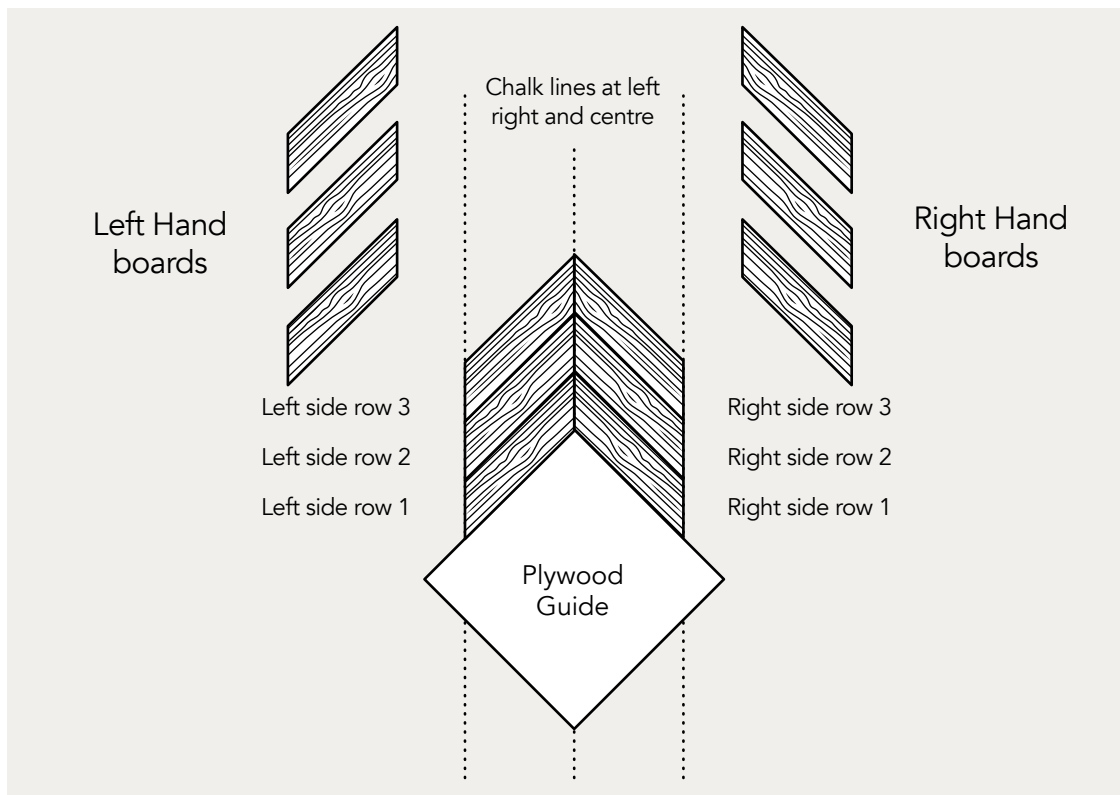


Figure 5: use a perfectly square piece of plywood 500mm x 500mm as a guide to begin the installation





INSTALLATION OF: CHEVRONS - FULLY BONDED

9.4.4 Installation using square section of plywood as a guide

Once you are happy that the installation will be acceptable, fully apply the Ted Todd MS flex adhesive with a notched trowel to the sub-floor and complete the installation of the first line both left and right sides.

Allow this to dry completely (up to 24 hours) and then use this initial column of glued-down chevrons as a start point for the remaining columns, having accurately marked out the centre, left and right chalk lines for each new column of chevrons.

If the short (header) joints are not already T&G profiled, consider using a loose tongue. That will minimise lipping at the points.

Remember to allow for normal expansion joint considerations around the perimeter and any fixed objects.

9.5 Summary

- Subfloor preparation must be flat to a high degree
- Fully bonded (glue down) installation
- Layout and planning of the pattern is critical
- Mark out the room to locate the centre and mark out the starting line.

9.6 FAQ's

Is all of the above really necessary?

The success of a good wood floor installation depends upon many factors. In instances where things go wrong, the problems will almost certainly be traceable back to failure to correctly follow some of the guidelines listed above. Even in apparently simple installation projects all of the above points must be checked to ensure compliance.

Why must the subfloor be so flat?

Any deviation in the subfloor will very quickly throw out the pattern leaving uneven joints and gaps. This is especially true with a chevron pattern where any inconsistencies will show up at the sharp points of the pattern.

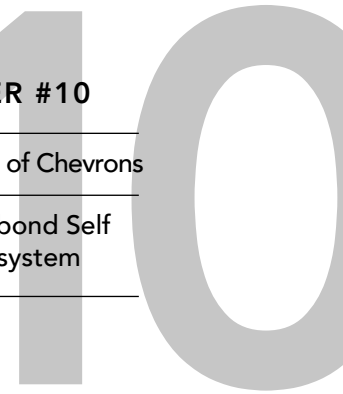
Are all chevron patterns at 45 degrees?

There are some Chevrons with a 30-degree angle in the Ted Todd and Woodworks ranges.



Chevron





INSTALLATION OF: CHEVRONS - UNIVERSAL BOND

UNIVERSAL BOND

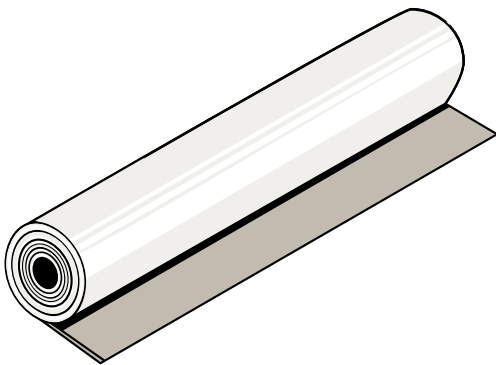
Pack Size	Thickness	Sound Resistance	Under-Floor heating
10m ²	3mm	up to 23db	Compatible
10m ²	5mm	up to 26db	Not Compatible



Chevron

About Universal Bond

Universal Bond 3mm/5mm high-grab self-adhesive underlay which reduces installation times and sub-floor preparation times are significantly reduced. Ideal for access flooring applications. It is extremely stable, durable and non-collapsing. Perfect for when bonded solution is needed but with the ability to be lifted later. Quick to fit, easy to work with.



- Rapid installation, moisture barrier foil.
- 100% recycled high density rubber crumb.
- In a 20m roll this PET foil has a huge vapour resistance SD value of 150 - much higher than any similar thickness products.
- Perfect for use with underlays with no built-in moisture barriers.
- Ideal for use on indoor sites as a dust or paint protection cover.
- 23dB impact sound resistance noise rating (3mm), 26dB (5mm).
- SR1 level floor required for herringbone.
- Extremely stable, durable and non-collapsing.
- 3mm suitable for underfloor heating.

Figure 1: A typical chevron arrangement, bonded down with MX Flex.





INSTALLATION OF: CHEVRONS - UNIVERSAL BOND

- 1. Create a crown line panel for the chevron pattern, bonding boards together by gluing the tongue and groove joints with a suitable adhesive. Bond together 4 boards each side of the centre line and allow time for the adhesive to fully set (see fig 1). Use a plywood template to set the crown line accurately (see fig. 2,3).

This will create the starting point for the chevron design installation on Universal Bond. While the adhesive is curing in the crown line panel, install Universal Bond perpendicular to the direction of the crown line throughout the area to be installed.



Chevron

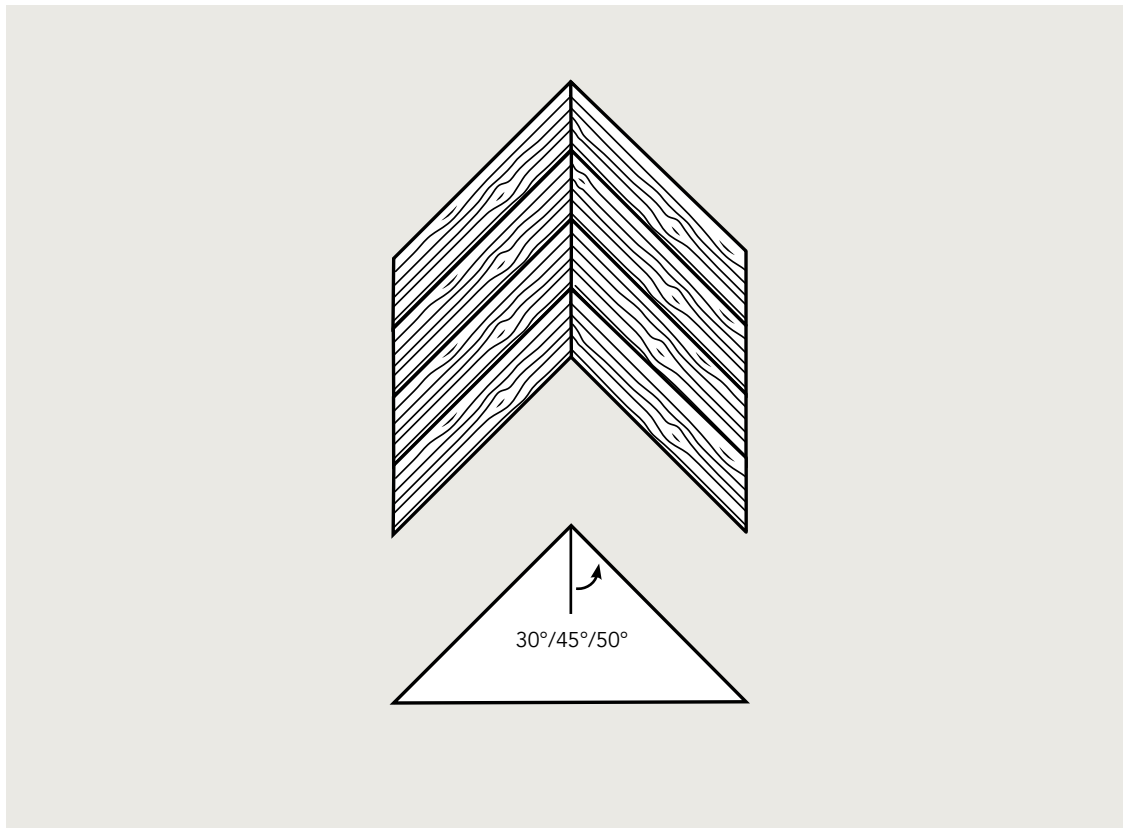


Figure 1: Use a plywood template set to the angle of the chevrons, glue together 4 boards to act as a crown line panel.





INSTALLATION OF: CHEVRONS - UNIVERSAL BOND

- 2. Once the Universal Bond product is laid throughout the area to be installed, carefully cut a centre line through the release film (see dotted line below), which will form the location point for the crown line panel.

Avoid cutting through the scrim below the adhesive layer as this will compromise the strength of the Universal Bond underlay system. Next pull back the release film to expose about 150mm of the adhesive layer on each side of the centre line.



Chevron

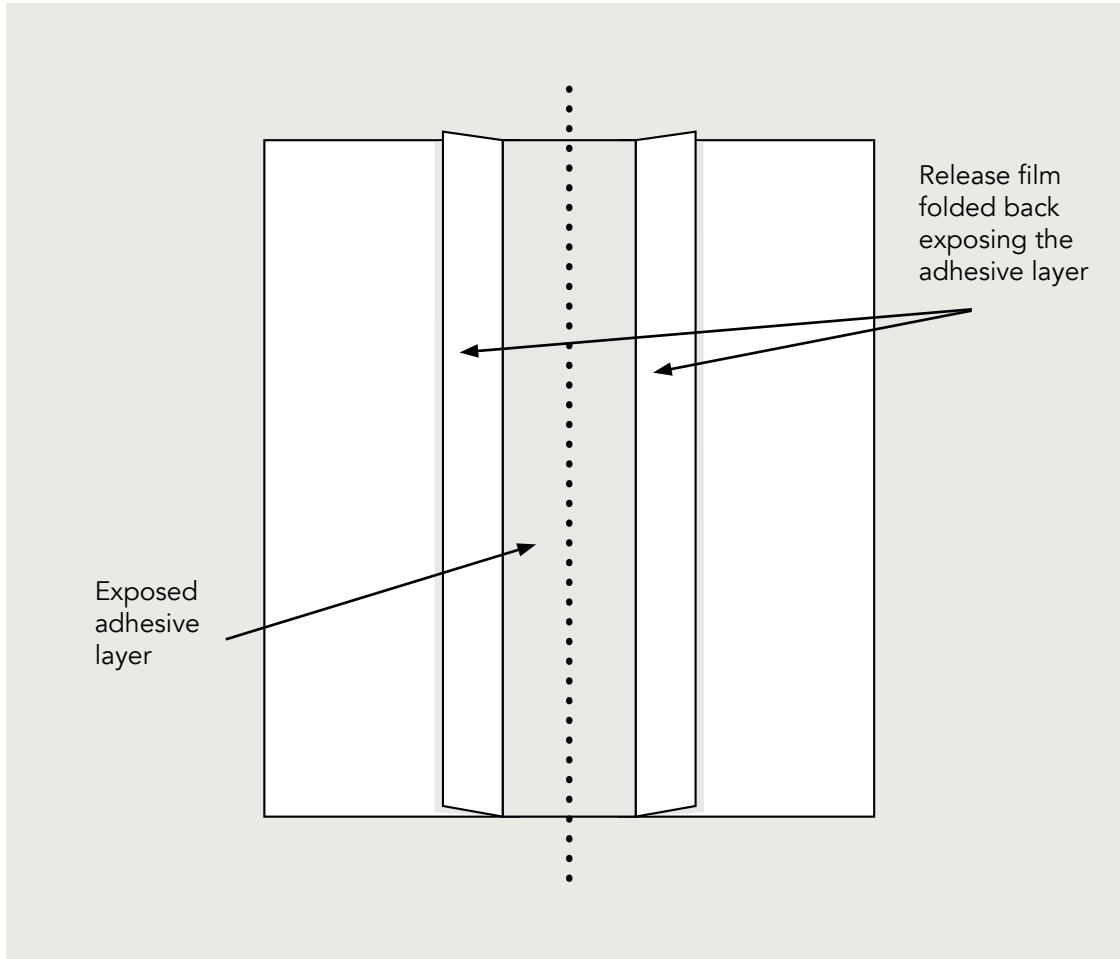


Figure 2: Next cut the release paper down the centre and pull back the release film to expose about 150mm of the adhesive layer on each side of the centre line.





INSTALLATION OF: CHEVRONS - UNIVERSAL BOND

- 3. Set the crown line panel onto the exposed adhesive layer of the Universal Bond product. Once located accurately, apply good pressure to the boards to ensure that the pressure sensitive adhesive has been fully activated.

This crown line can be continued directly on the adhesive by using an atomiser to spray a water mist over the adhesive which momentarily deactivates the adhesive grab. Install each board (see arrow A) over this area, the deactivated adhesive will allow for the positioning of the boards, and press down firmly once the located correctly to secure in position.



Chevron

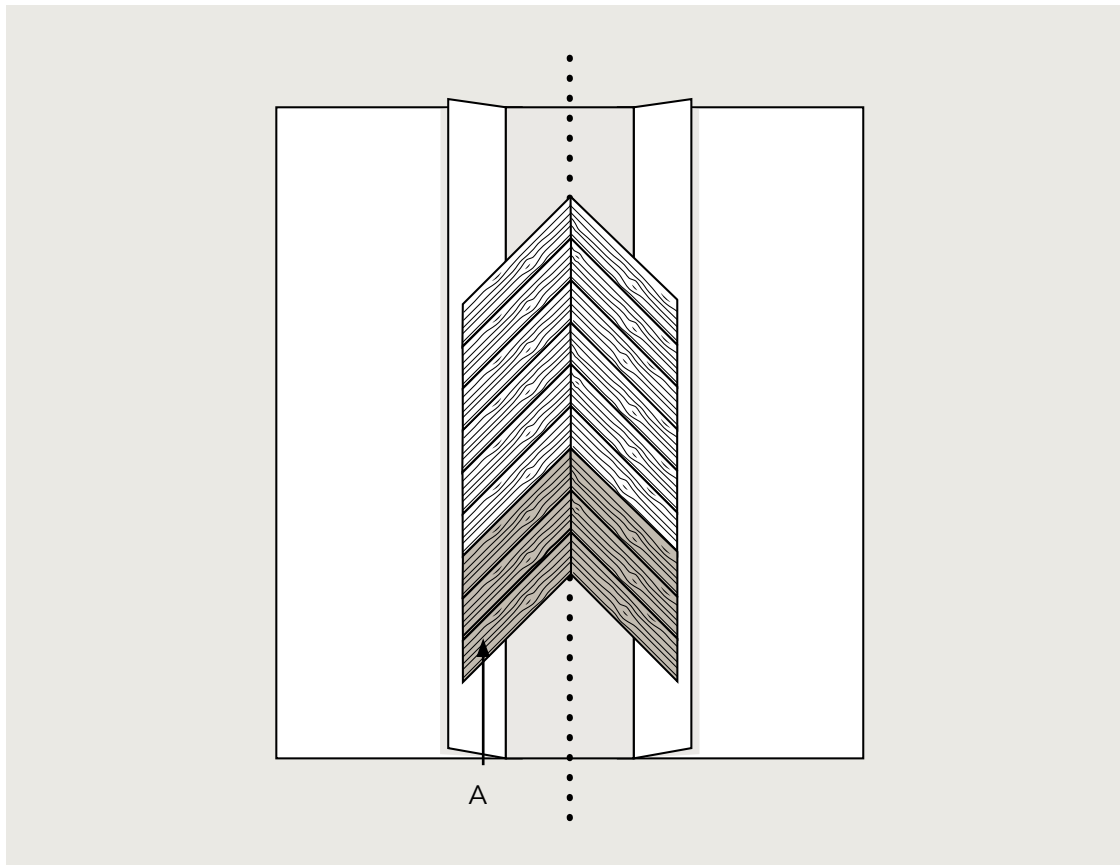


Figure 3: Secure the crown to the centre line, directly onto the exposed adhesive. Continue to build out onto the adhesive layer.





INSTALLATION OF: CHEVRONS - UNIVERSAL BOND

- 4. On completion of the crown line continue to lay the boards by installing on the release film (see arrow B) and once all the boards are correctly located gently pull the release film (see arrow C) from under the boards to secure in place.

Always press each board firmly into the exposed adhesive to ensure good adhesion and to avoid boards moving out of place.



Chevron

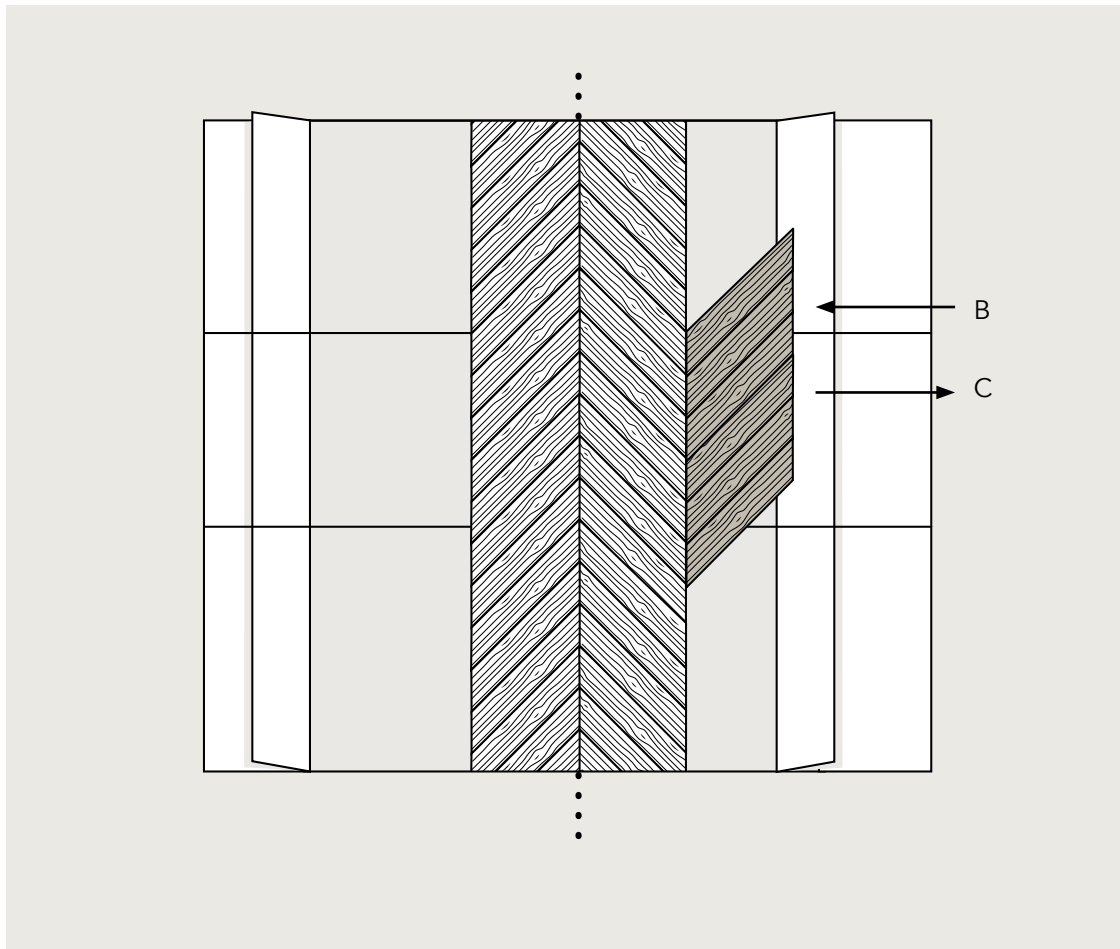


Figure 4: On completion of the crown line continue to lay the boards by installing on the release film





INSTALLATION OF: DESIGN PANELS - FULLY BONDED

The main method recommended for installing Ted Todd Design Panels should be:

- Fully-Bonded (Glued down) using Ted Todd MS Flex adhesive.
- Always check with the end-user that the correct product has been delivered and that they are happy with the grade and visual appearance of the floor. Open several packs at a time and mix the pieces to ensure a good selection pieces so the installation is visually well-balanced.
- Agree on the laying pattern and the orientation of the pattern within each room. Normally the longest run of the room is the direction the pattern should be laid, but do consider other factors such as lighting, windows and doors.
- All installations should comply with BS8201.

Please note that in any patterned installation, the normal expansion and contraction of the wood blocks through natural humidity change will be enough to cause small gaps in the installation. Please check with the end client that this is acceptable and that the end-client has seen the appropriate large-format display panels in a Ted Todd Partner showroom or elsewhere.

If the end client requires an installation with a seamless accuracy, then the best results will be obtained by installing unfinished wood elements which can be filled and sanded after installation and finished on site.

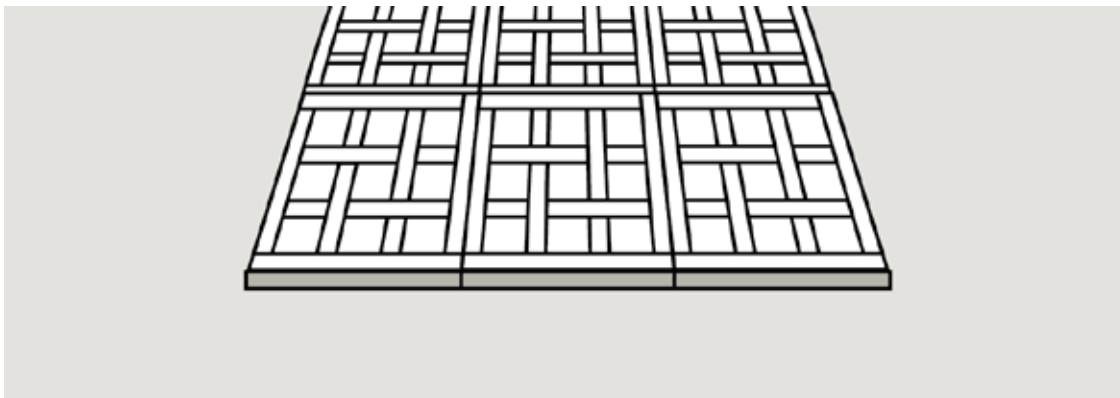


Figure 1: A typical arrangement of design panels (Chantilly Panel), bonded down with MX Flex.



Parquet de Versailles



Chantilly panel



Circular design panel



Parquet de Chevney



Parquet de Ardeche



8 tile parquet de versailles





INSTALLATION OF: DESIGN PANELS - FULLY BONDED

11.1 Site Checks

Before commencing installation ensure the requirements have been met for:

- Jobsite Conditions, Moisture Testing and Acclimatisation (Chapter 1A, 1B and 1C).
- Ambient temperature range of 16 to 24 Deg C.
- Ambient relative humidity of RH of 45 to 65%
- Subfloors, see Chapter 2 for a full check list.

11.2 Acceptable Sub Floors

- For Wood based subfloors there should be no more than 12%MC and should be no more than +/- 2% Moisture Content difference to the Wood Flooring.
- Concrete / Screed. For concrete screeds moisture content should not exceed 2% (calcium carbide measure) or RH of 65%. Anhydrite-based screeds with MC of no more than 0.5% (0.3% with UFH).
- Tiles – when flat and overlaid with minimum 9mm ply
- Subfloors must be Dry and Flat. See Chapter 2.
- The flatness of subfloors is absolutely critical in obtaining a good installation when installing parquet flooring. Any unevenness in the subfloor can cause the pattern to run-out across the floor resulting in gaps between the elements.

11.3 Installation Guidelines, All Parquet installations.

11.3.1 Material check

- Please check that the correct product has been ordered and delivered
- It is important to understand any critical visual elements that are required – laying directions, staggering of joints, mixing of tones across a floor for example
- Please always inspect material to decide on how the material needs to be installed to meet the projects objectives, e.g. if certain elements are best positioned in particular locations
- It is vital that you ensure that the quantity of material you have is sufficient to complete the area you are installing. It is normal in all natural products for there to be some batch-to-batch variation and if you need to order another batch to complete the area please expect some variation.
- Also consider ordering planks or strip flooring to finish off the perimeter of the parquet pattern



Parquet de Versailles



Chantilly panel



Circular design panel



Parquet de Chevney



Parquet de Ardeche



8 tile parquet de versailles





INSTALLATION OF: DESIGN PANELS - FULLY BONDED

11.3.2 Fixing method – only fully bonded

We only recommend fully bonded installation method for our patterns & panels floors

We only recommend Ted Todd MS Flex, this is a high tensile, high bond adhesive designed for high quality installations.

Ms flex should be evenly applied to a timber sub-floor with a 3mm notched trowel and to concrete and screeded floors with a 5mm notched trowel. Apply adhesive to an area just sufficient to allow the panels to be glued in place within the "open time" of the adhesive.

Care should be taken to not get the adhesive on the finished face of the floor, as the adhesive is made to adhere and is therefore difficult to remove once dry.

If you do get it on the face of the floor, it should either be removed quickly or left to dry.

We do not recommend intermittent lines of adhesive, as this will not give you an adequate bond. Ms flex is a full spread adhesive and will give you an unrivalled bond across the whole floor.

Always open several packs at a time and mix the elements to ensure that the installation is visually well-balanced.

11.3.3 Other methods of fixing

We do not recommend floating installation for Design Panels as it can be difficult to avoid gaps between elements if the patterns run-out.

11.3.4 Subfloor Priming

It is good practise to prime prepared screeded and concrete floors with Ted Todd Primerfast.

A single coat of Primerfast aids the spread and adhesion of the MS Flex full bond adhesive. However a second coat of Primerfast, for use where there is no underfloor heating, provides a moisture barrier too.

Primerfast dries within an hour and the installation can commence using Ms Flex full bond adhesive.



Parquet de Versailles



Chantilly panel



Circular design panel



Parquet de Chevney



Parquet de Ardeche



8 tile parquet de versailles

PRIMERFAST: Application with nylon roller, coverage 6kg tub =120-450g/m². Suitable for underfloor heating. Single coat. Fast drying within 45-50min

MX FLEX ADHESIVE: 1.45 Kg/Ltr. Coverage 700/1200 g/m² depending on the subfloor. free from water, solvents, amines, epoxy resins and isocyanates. Suitable for underfloor heating.





INSTALLATION OF: DESIGN PANELS - FULLY BONDED

11.3.5 Expansion

Expansion and contraction of patterned floors is more even in direction when compared to Plank floors.

Plank floors move predominantly across the width, but patterned floors which have different elements, or wood pieces, laid with the grain in different orientations move more evenly across the room.

A minimum expansion space of 15mm must be left around all of the perimeter and round all obstructions.

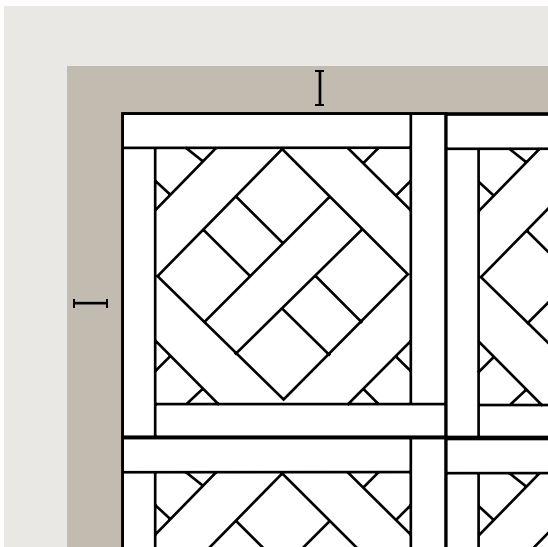


Figure 2: a 15mm expansion gap should be left around the perimeter and all obstructions.

11.4 Overview for installation of Design Panels

The layout of design panels within a space needs to be carefully considered. One benefit of panels is that they are easy to loose-lay out within a space, allowing you to visually see how the floor will look prior to installing. The main consideration is whether the panels are laid on the diagonal or square to the walls. Traditionally Parquet de Versailles are laid on the diagonal. This is a subjective decision, and every project has its own objectives.

The same installation guidance applies to Panels in that we only recommend that they are fully bonded with Ted Todd MS flex adhesive.

With many of our panels being 980 x 980mm in size any bows or undulations in the subfloor will make the panel reduce in width once it has taken into account this undulations, this will make the panel in effect a different size to its neighbour. This point hopes to reinforce the requirement for a level and flat sub floor.

Utilising weighty objects, like tins of adhesive etc. to weigh down the panels as they are installed is a good approach.



Parquet de Versailles



Chantilly panel



Circular design panel



Parquet de Chevney



Parquet de Ardeche



8 tile parquet de versailles





INSTALLATION OF: DESIGN PANELS - FULLY BONDED

11.4.1 Professional Installation

Installation of engineered flooring panels requires a high degree of technical ability and should only be performed by a qualified and experienced professional wood floor installer.

It is not suitable as a DIY project nor suitable for installation by joiners or builders unless they are fully qualified professional wood floor installers.

Site conditions fully comply with the guidelines in sections 5.1 Site Conditions, 5.2 Acceptable Sub-floors, and 5.3 Installation

Most installation problems can be traced back to an inadequately levelled sub floor.

11.4.2 Simple mistakes

Panels should not be installed in a "floating" method.

Site conditions are critical - damp and humid site conditions will cause large panels to move and this will make accurate installation challenging.

11.4.3 Overall design:

Before even ordering any panels, please check that the dimensions of the panels are understood, that the dimensions of the room or area to be installed are understood and that the general pattern and layout is agreed with the end client.

It should also be considered that the panels may be best arranged in a pattern diagonal to the room. This may make edge details around obstructions e.g. fireplaces, or out of square walls easier to deal with.

When planning the installation layout it is usual to start from the centre of the area to be installed.

Consideration will need to be given to the detailing of the outside edges of the room. It may be better to provide for some "Border Strips" of plank flooring to complete the edges.

If required, do order the border strips at the same time as the panels so that the finish and thickness can complement the panels.

Do remember to follow the general recommendations regarding expansion gaps, etc.



Parquet de Versailles



Chantilly panel



Circular design panel



Parquet de Chevney



Parquet de Ardeche



8 tile parquet de versailles





INSTALLATION OF: DESIGN PANELS - FULLY BONDED

11.4.5 Design Panels Pattern Layouts.

A key factor is how the floor is laid out across the space it will be installed in.

The laying direction and the mapping of the pattern within the space is also very important.

The standard approach is for the centre line in the space to be the starting point, with the floor installed down this line and then working out to the perimeter.

But this may not always be the best approach and understanding where the pattern finishes on the perimeters may dictate that it makes more sense to move the layout away from the centre line to achieve a better finish point of the pattern around the perimeters.

Also consider the use of planks or narrow plank flooring to finish the perimeter of the pattern.

Designing layouts in CAD can be time well spent for highly complex installations, especially where borders are incorporated into the floor.

Do remember:

- Where possible, expansion gaps must be left though doorways/archways and covered with T-sections to break up large areas of installation. A minimum expansion space of 15mm must be left around the perimeter and all vertical obstructions.
- Remember that the floor must be allowed to expand and contract under the thresholds, skirting and other joint covers.
- Door architraves can be undercut to allow for the floor elements to fit underneath and still permit the expansion and contraction of the floor.
- Consider how the perimeter expansion gaps will be covered after installation. Skirting boards or scotia and other profiled shapes are available for this. They must be installed to allow for movement of the flooring below.
- For installations with Under Floor Heating we recommend the use of the Ted Todd Fidboxes for monitoring the temperature and humidity conditions inside the wood floor. See Chapter 13 for detailed information.

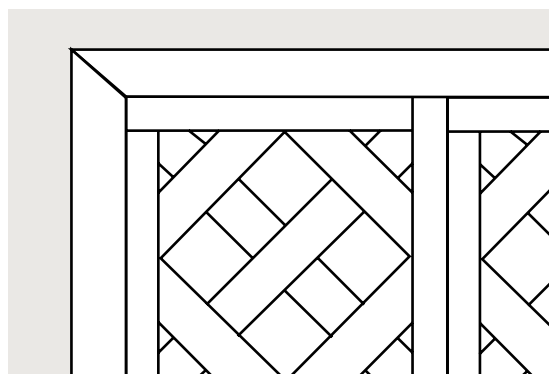


Figure 3 (left): Consider the use of planks or narrow planks to finish the perimeter of the pattern.



Parquet de Versailles



Chantilly panel



Circular design panel



Parquet de Chevney



Parquet de Ardeche



8 tile
parquet de versailles





INSTALLATION OF: DESIGN PANELS - FULLY BONDED

11.5 Guidance on how to set out your floor.

11.5.1 How to achieve a square layout from the Centre of the Room

Start by snapping a chalk line through the centre of the room (line Y).

The next line (X) must be exactly 90 degrees to line Y to form a perfect square corner.

To ensure this angle, do the following:

- From the centre point (A) of line Y, measure 800mm along line Y and mark that point (B); From the same centre point, measure 600mm in the general direction of where line X will be and scribe an arc.
- Return to the original 800mm mark on line Y and measure 1000mm, scribing an arc that crosses (point C) the 600mm arc you made in the previous step (double check for accuracy by following a similar measurement and arc-scribing process on the other side of line Y and the opposite side from the expected position of line X)
- Snap a chalk line through the conjunction of the two arcs at point C and the centre point of line Y. This will be line X, at an exact 90-degree angle to line Y.

11.5.2 How to achieve a diagonal Layout from the Centre of the Room

From the centre point, measure 800mm down in each direction on lines X and Y, which you have already determined by the method described above.

From each of these points, measure 800mm and scribe an arc. The conjunction of these arcs creates points D and E. Snap a chalk line between points D and E, and the centre point. This line represents a 45 degree angle.

11.5.3 Square Layout from the Wall

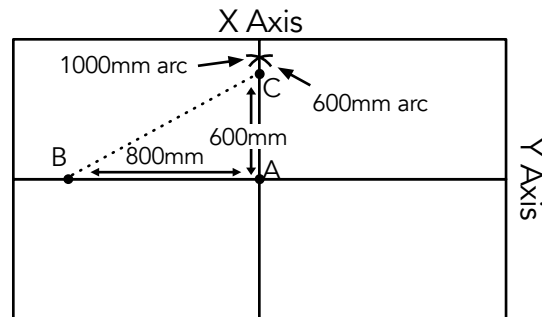


Figure 4:

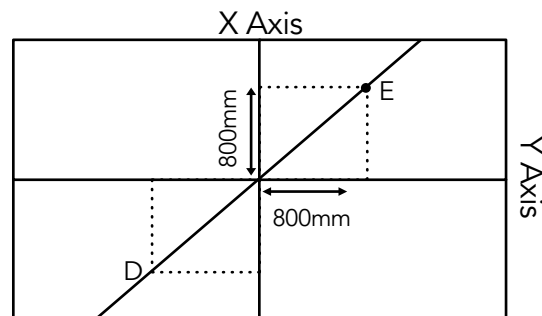


Figure 5:



Parquet de Versailles



Chantilly panel



Circular design panel



Parquet de Chevney



Parquet de Ardeche



8 tile parquet de versailles



INSTALLATION OF: DESIGN PANELS - FULLY BONDED

Panels or basket weave parquet can be laid wall to wall without centring the product in the room. The results will not be balanced but the products have no edge treatment to delineate the difference in sizes when unbalanced. More intricate patterns generally require the flooring to be centred.

If the room dimensions allow, in at least two places from the corner, measure out and establish a chalk line parallel to and the width of 2 panels plus 15mm away from the starting wall opposite the entrance doorway.

Start by snapping a chalk line and the width of 2 panels plus 13mm from the starting wall, opposite the entrance doorway (Line Y). The next line (X) must be exactly 90° to Line Y to form a perfect square corner. To ensure this angle:

Measure and the width of 2 panels plus 13mm along Line Y from the right-angle wall and mark it Point A. From Point A, measure 800mm along Line Y and mark that Point B.

From Point A, measure 600mm in the general direction of where line X will be and scribe an arc.

From Point B measure 1000mm, scribing an arc that crosses Point C. Verify all measurements before proceeding.

If correct, snap a chalk line through Point A and the conjunction of the two arcs at point C. This will be Line X, at an exact 90° angle to Line Y

Make any necessary adjustments to allow for walls out of square before proceeding.

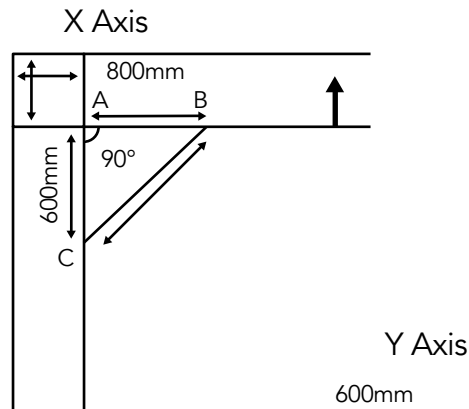


Figure 6: Square Layout from the Wall



Parquet de
Versailles



Chantilly
panel



Circular
design panel



Parquet de
Chevney



Parquet de
Ardeche



8 tile
parquet de
versailles





INSTALLATION OF: DESIGN PANELS - FULLY BONDED

11.6 Tongue and Groove.

Panels may be supplied with differing T&G arrangements. Please check below:

- i. Panels may be supplied with 2 tongues and 2 grooves in which case there may be left and right-handed versions depending upon the pattern. Please check the layout before installing.
- ii. Panels may be supplied with 1 tongue and 3 grooves which should facilitate most pattern arrangements without left or right-handed versions. Please check the arrangement of the panels before installing. Loose tongues may be used to help the alignment of the panels on those edges where two grooves meet. Glue the loose tongues into one of the panels to be joined, using Ted Todd T&G adhesive. Allow the loose tongue to be a press-fit into the adjoining panel so that the loose tongue is only glued to one of the panels to be joined together. Do not glue the panels together with the loose tongue. This is normal in a fully bonded installation and allows natural expansion – contraction movement between the panels.
- iii. Panels may be supplied with 4 grooves which should facilitate all pattern arrangements without the need for left and right-handed panels. In this case the use of loose tongues in all joints is highly recommended to ensure tight alignment between the panels. Glue the loose tongues into one of the panels to be joined, using Ted Todd T&G adhesive. Allow the loose tongue to be a press-fit into the adjoining panel so that the loose tongue is only glued to one of the panels to be joined together. Do not glue the panels together with the loose tongue. This is normal in a fully bonded installation and allows natural expansion-contraction movement between the panels.

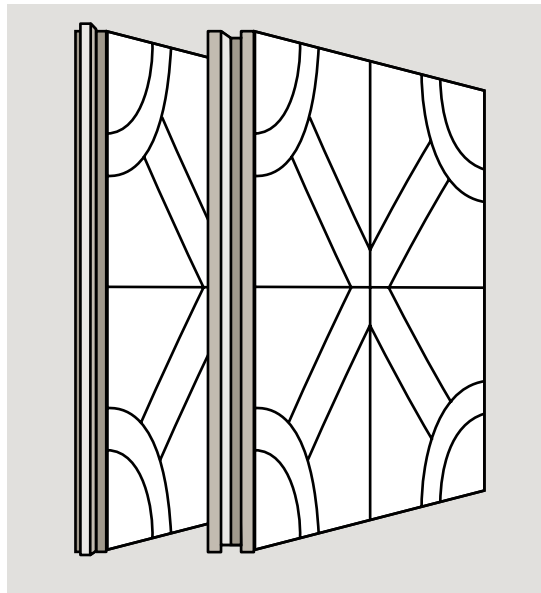


Figure 7: Panels may be supplied with 2 tongues and 2 grooves in which case there may be left and right-handed versions



Parquet de Versailles



Chantilly panel



Circular design panel



Parquet de Chevney



Parquet de Ardeche



8 tile parquet de versailles





INSTALLATION OF: DESIGN PANELS - FULLY BONDED

11.7 Installation:

Do follow the general recommendations for installation of a glue-down floor as well as the specific guidelines mentioned in this chapter for installing panels.

Do always remember to start from the centre of the room or area to be installed and “dry-fit” the panels in the general orientation and gain approval from the end client. Similarly obtain agreement with end client that they are happy with the product as delivered, including grade, finish, etc.

Please check that dimensions of the panels as supplied are as expected!

Please refer to Chapter 10 under floor heating guidelines if system is present or to be installed.

11.7.1 Installation Tips

- Uneven subfloors will cause patterns to run out, as precise patterns require precise subfloors as their foundation.
- Where possible, install the first line of product the day before. It will then be securely adhered in position for when you start to install the rest of the floor.
- Do not walk or kneel on elements before the adhesive is fully cured as the elements may move.
- Allow a minimum of 24 hours drying time before moving furniture or walking on the newly laid parquet floor.
- If you need to knock up the components always use an off cut to avoid damaging the edges of components
- Caulking open joints as part of the installation is good practise where the project objective requires a gap free result.



Parquet de Versailles



Chantilly panel



Circular design panel



Parquet de Chevney



Parquet de Ardeche



8 tile parquet de versailles





INSTALLATION OF: DESIGN PANELS - FULLY BONDED

11.8 Summary

- Subfloor preparation must be flat to a high degree
- Professional floor-layer installer only
- Fully bonded (glue down) installation
- Layout and planning of the pattern is critical
- Mark out the room to locate the centre and mark out the starting line.

11.9 FAQ's

Is all of the above really necessary?

The success of a good wood floor installation depends upon many factors. In instances where things go wrong, the problems will almost certainly be traceable back to failure to correctly follow some of the guidelines listed above. Even in apparently simple installation projects all of the above points must be checked to ensure compliance.

In any wood floor installation there will always be small tolerances at the edges of the T&G's (known as Lipping). Any lipping in a pre-finished floor is usually not noticed because of the rounded edges or bevels. In an unfinished Pattern installation, the edges between the blocks may be square and after installation the complete surface will be sanded before a final surface finish is applied. This means that the edges between the block elements will be perfectly smooth.



Parquet de Versailles



Chantilly panel



Circular design panel



Parquet de Chevney

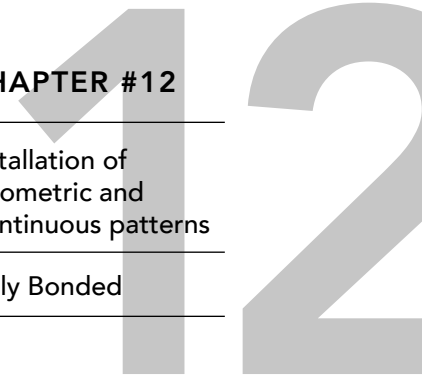


Parquet de Ardeche



*8 tile
parquet de versailles*





INSTALLATION OF: CONTINUOUS PATTERNS - FULLY BONDED

The main method recommended for installing Ted Todd Patterns should be:

- Fully-Bonded (Glued down) using Ted Todd MS Flex adhesive.
- It is also possible to use Ted Todd Universal Bond, high-grab underlay.
- Always check with the end-user that the correct product has been delivered and that they are happy with the grade and visual appearance of the floor. Open several packs at a time and mix the pieces to ensure a good selection pieces so the installation is visually well-balanced.
- Agree on the laying pattern and the orientation of the pattern within each room. Normally the longest run of the room is the direction the pattern should be laid, but do consider other factors such as lighting, windows and doors.
- All installations should comply with BS8201.



Continuous Versailles



Shrawley



Avery

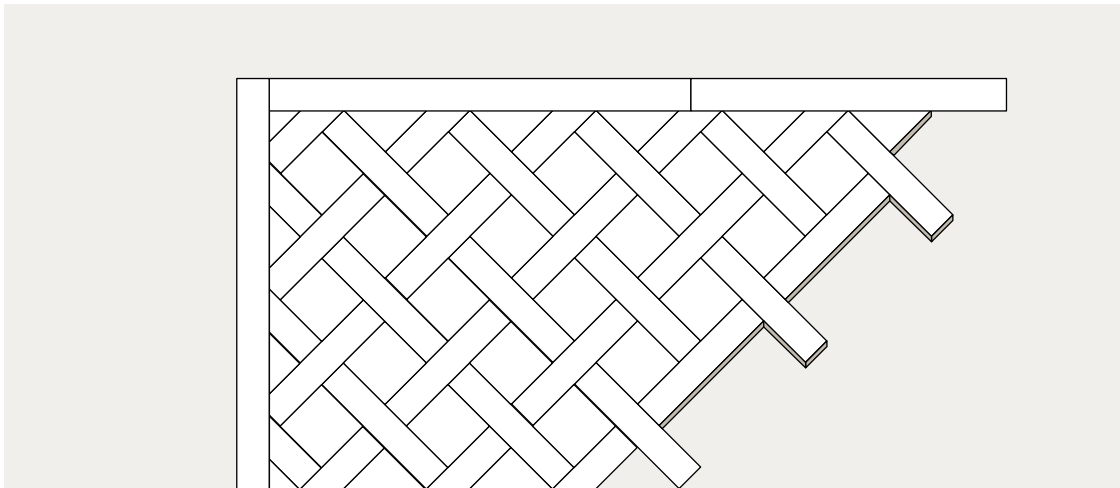


Figure 1: A typical arrangement of a Continuous Versailles pattern.





INSTALLATION OF: CONTINUOUS PATTERNS - FULLY BONDED

12.1 Site Checks

Before commencing installation ensure the requirements have been met for:

- Jobsite Conditions, Moisture Testing and Acclimatisation (Chapter 1A, 1B and 1C).
- Ambient temperature range of 16 to 24°C.
- Ambient relative humidity of RH of 45 to 65%
- Subfloors, see Chapter 2 for a full check list.

12.2 Acceptable Sub Floors

- Wood-based panels, such as OSB and Plywood. Moisture content no more than 12% and no more than 2% difference with the wood floor.
- Concrete / Screed. For concrete screeds moisture content should not exceed 2% (calcium carbide measure) or RH of 65%. Anhydrite-based screeds with MC of no more than 0.5% (0.3% with UFH).
- Tiles – when flat and overlaid with minimum 9mm ply.
- Subfloors must be Dry and Flat. See Chapter 2.
- The flatness of subfloors is absolutely critical in obtaining a good installation when installing Patterns flooring. Any unevenness in the subfloor can cause the pattern to run-out across the floor resulting in gaps between the elements.

12.3 Installation Guidelines, All Parquet installations.

12.3.1 Material check

- Please check that the correct product has been ordered and delivered
- It is important to understand any critical visual elements that are required – laying directions, staggering of joints, mixing of tones across a floor for example
- Please always inspect material to decide on how the material needs to be installed to meet the projects objectives, ie. if certain elements are best positioned in particular locations
- It is vital that you ensure that the quantity of material you have is sufficient to complete the area you are installing. It is normal in all natural products for there to be some batch-to-batch variation and if you need to order another batch to complete the area please expect some variation.
- Also consider ordering planks or strip flooring to finish off the perimeter of the parquet pattern



Continuous
Versailles



Shrawley



Avery



INSTALLATION OF: CONTINUOUS PATTERNS - FULLY BONDED

12.3.2 Fixing method – only fully bonded

We only recommend fully bonded installation method for our patterns & panels floors

We recommend **Ted Todd MS Flex**, this is a high tensile, high bond adhesive designed for high quality installations.

Ms flex should be evenly applied to a timber sub-floor with a 3mm notched trowel and to concrete and screeded floors with a 5mm notched trowel.

Care should be taken to not get the adhesive on the finished face of the floor, as the adhesive is made to adhere and is therefore difficult to remove once dry.

If you do get it on the face of the floor, it should either be removed quickly or left to dry.

We do not recommend intermittent lines of adhesive, as this will not give you an adequate bond. Ms flex is a full spread adhesive and will give you an unrivalled bond across the whole floor.

Always open several packs at a time and mix the elements to ensure that the installation is visually well-balanced.

Only apply the MS Flex to a subfloor area just sufficient to enable the placing of the flooring elements well within the "open time" of the adhesive. If any adhesive already applied to the subfloor has started to skin over, it must be removed and new adhesive applied.

12.3.3 Other methods of fixing

We **do not recommend** floating installation for Patterns as it can be difficult to avoid gaps between elements if the patterns run-out.

12.3.4 Subfloor Priming

It is good practise to prime prepared screeded and concrete floors with Ted Todd Primerfast.

A single coat of Primerfast aids the spread and adhesion of the MS Flex full bond adhesive. However a second coat of Primerfast, for use where there is no underfloor heating, provides a moisture barrier too.

Primerfast dries within an hour and the installation can commence using Ms Flex full bond adhesive.



PRIMERFAST: Application with nylon roller, coverage 6kg tub = 120-450g/m². Suitable for underfloor heating. Single coat. Fast drying within 45-50min

MX FLEX ADHESIVE: 1.45 Kg/Ltr. Coverage 700/1200 g/m² depending on the subfloor. free from water, solvents, amines, epoxy resins and isocyanates. Suitable for underfloor heating.



Continuous Versailles



Shrawley



Avery



INSTALLATION OF: CONTINUOUS PATTERNS - FULLY BONDED

12.3.5 Expansion

Expansion and contraction of patterned floors is more even in direction when compared to Plank floors.

Plank floors move predominantly across the width, but patterned floors which have different elements, or wood pieces, laid with the grain in different orientations move more evenly across the room.

A minimum expansion space of 15mm must be left around all of the perimeter and round all obstructions.

12.3.6 Patterns Layouts.

A key factor is how the floor is laid out across the space it will be installed in.

The laying direction and the mapping of the pattern within the space is also very important.

The standard approach is for the centre line in the space to be the starting point, with the floor installed down this line and then working out to the perimeter.

But this may not always be the best approach and understanding where the pattern finishes on the perimeters may dictate that it makes more sense to move the layout away from the centre line to achieve a better finish point of the pattern around the perimeters.

Also consider the use of planks or narrow plank flooring to finish the perimeter of the pattern.

Designing layouts in CAD can be time well spent for highly complex installations, especially where borders are incorporated into the floor.

Do remember:

- Where possible, expansion gaps must be left though doorways/archways and covered with T-sections to break up large areas of installation. A minimum expansion space of 15mm must be left around the perimeter and all vertical obstructions.
- Remember that the floor must be allowed to expand and contract under the thresholds, skirting and other joint covers.
- Door architraves can be undercut to allow for the floor elements to fit underneath and still permit the expansion and contraction of the floor.
- Consider how the perimeter expansion gaps will be covered after installation. Skirting boards or scotia and other profiled shapes are available for this. They must be installed to allow for movement of the flooring below.
- For installations with Under Floor Heating we recommend the use of the Ted Todd Fidboxes for monitoring the temperature and humidity conditions inside the wood floor. See Chapter 10 for detailed information.



Continuous
Versailles

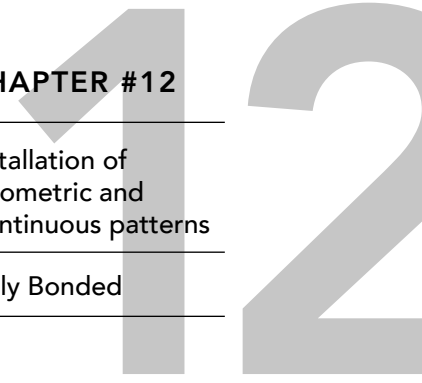


Shrawley



Avery





INSTALLATION OF: CONTINUOUS PATTERNS - FULLY BONDED

12.4 Guidance on how to set out your floor, Patterns Nuances.

12.4.1 Overview

The evenness of the subfloor is critical for all Patterns floors.

For most Patterns installation the floor is laid out from the centre line. Care should also be taken to consider the starting position in this line as it will determine the finishing point of the Patterns along the length of the room.

Historic style Patterns floors and modern often differ in their objectives with the prior accepting a more open, natural feel. These objectives should be considered at both the specification and installation stage, as some floors lend themselves far better to achieving a seamless outcome than others.

Installation of Patterns requires a high degree of technical ability and should only be performed by a qualified and experienced professional wood floor installer.

It is not suitable as a DIY project nor suitable for installation by joiners or builders unless they are fully qualified professional wood floor installers.

Site conditions must be perfect and fully comply with the guidelines in Chapter 1A - Site Planning, Chapter 1B - Acclimatisation, Chapter 1C - Moisture measurement, Chapter 2 - Subfloors.

It is very rare for installation problems not to be traced back to an inadequately levelled sub floor, given that they mostly relate to out of line installation.

12.4.2 Accuracy

Please note that in any Patterns installation, the normal expansion and contraction of the wood blocks through natural humidity change will be enough to cause small gaps in the installation.

This situation is particularly apparent with any installation of pre-finished wood blocks. Please check with the end client that this is acceptable and that the end-client has seen the appropriate large-format display panels in a Ted Todd Partner showroom or elsewhere.

If the end client requires a patterned installation with a seamless accuracy, then the best results will be obtained by installing unfinished Patterns elements which can be filled and sanded after installation and finished on site.



Continuous Versailles



Shrawley



Avery

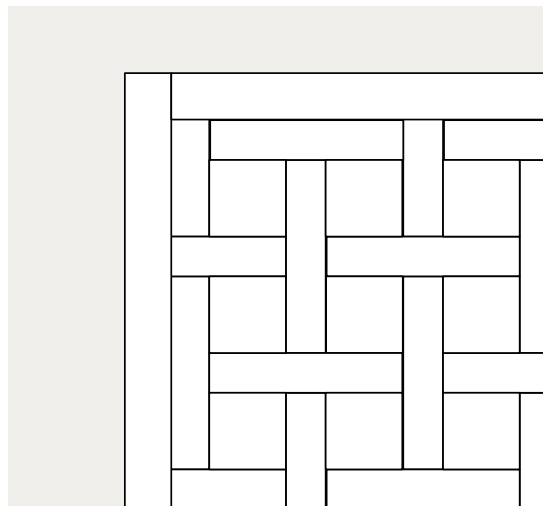
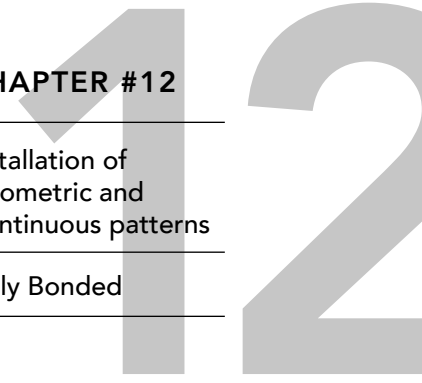


Figure 2: Continuous Versailles pattern layout horizontally.





INSTALLATION OF: CONTINUOUS PATTERNS - FULLY BONDED

12.4.3 Patterns Installation considerations.

Determine the layout for the floor and the direction the pattern will run. Once the sub-floor preparation is complete, mark the centre lines or angled lines in accordance with section TT website installation guidelines page 22 diagrams 5.1 and 5.2

Precise measurements are essential when laying a patterned floor. Verify measurements and check row alignment frequently to ensure the pattern is being laid accurately and evenly.

Open several packs of the patterns elements, inspect the pieces and loose lay the first section of flooring giving a complete pattern. both left and right sides. Ensure that the pattern is correct, that the points meet cleanly and that the pattern makes a perfectly straight line following the chalk line

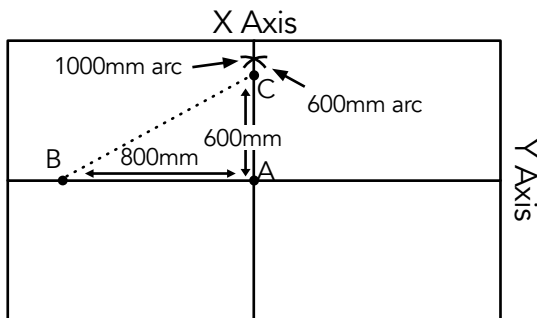


Figure 3: From point A (the centre of the room) measure 800mm to point B and 600mm to point c, scribing an arc to act as a guide.

12.4.4 Installation of the pattern.

Once you are happy that the installation will be acceptable, fully apply the Ted Todd MS flex adhesive with a notched trowel to the sub-floor and complete the installation of the first complete pattern.

Allow this to dry completely (up to 24 hours) and then use this initial glued-down pattern as a start point for the remaining repeats, having accurately marked out the centre, left and right chalk lines for each new column of repeat of the pattern.

If the joints on the patterns elements are not already T&G profiled, consider using a loose tongue. That will minimise lipping at the points.

Remember to allow for normal expansion joint considerations around the perimeter and any fixed objects.

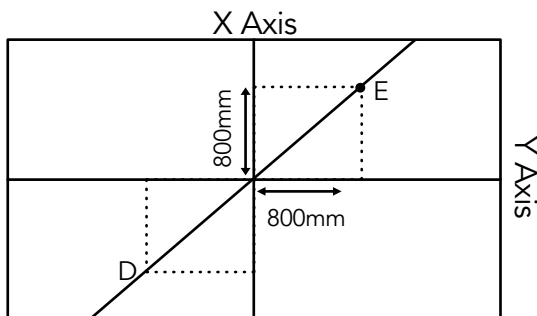


Figure 4: Measure 800mm from the center up and across. Scribe arcs to create points D and E. Join points D to E to form a 45° angle.



Continuous
Versailles

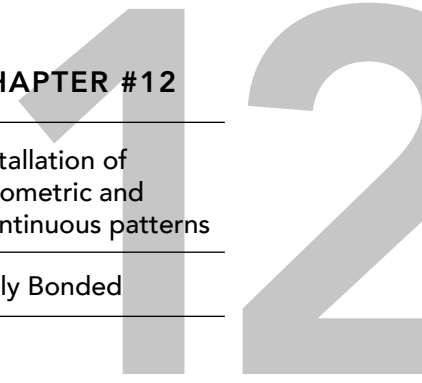


Shrawley



Avery





INSTALLATION OF: CONTINUOUS PATTERNS - FULLY BONDED

12.5 Summary

- Subfloor preparation must be flat to a high degree
- Fully bonded (glue down) installation
- Layout and planning of the pattern is critical
- Mark out the room to locate the centre and mark out the starting line.

12.6 FAQ's

Is all of the above really necessary?

The success of a good wood floor installation depends upon many factors. In instances where things go wrong, the problems will almost certainly be traceable back to failure to correctly follow some of the guidelines listed above. Even in apparently simple installation projects all of the above points must be checked to ensure compliance.



Continuous Versailles



Shrawley



Avery

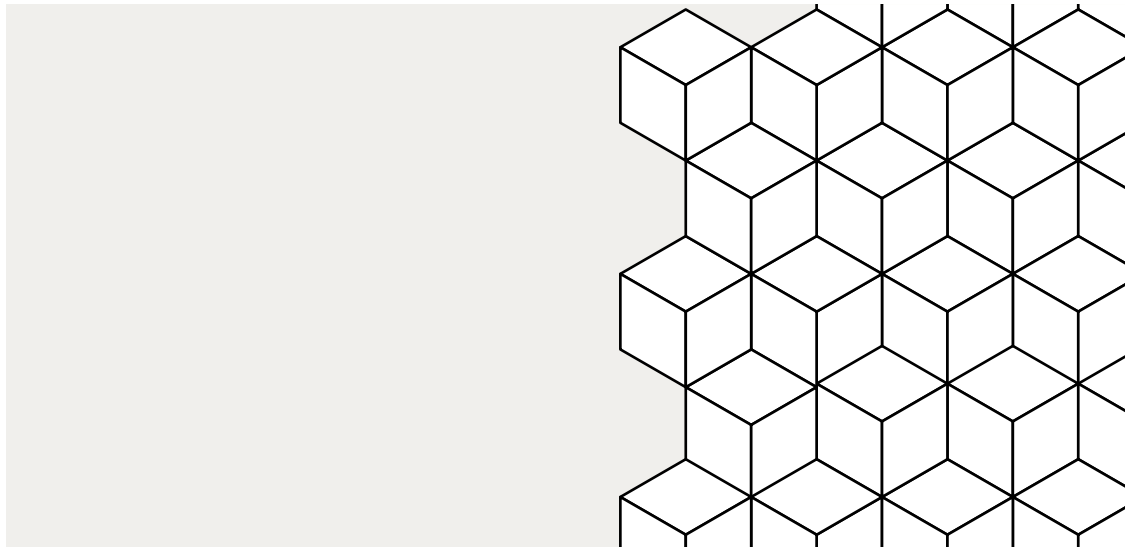


Figure 5: Geomertic floor pattern: Shrawley





GUIDELINES FOR: UNDERFLOOR HEATING (UFH)

The following sections offer guidelines to help with Wood Floor installations with UFH:

- 13.1 General.
- 13.2 General additional guidelines for UFH with Wood Floor installations.
- 13.3 Notes about Wood Floor installation methods
- 13.4 Acclimatisation and UFH
- 13.5 Monitoring
- 13.6 Water-Fed UFH systems
- 13.7 Electric UFH systems
- 13.8 Part of a floor with UFH
- 13.9 Summary
- 13.10 FAQ's



Plank



Herringbone



Chevron



*Circular
design panel*



*Continuous
patterns*



GUIDELINES FOR: UNDERFLOOR HEATING (UFH)

13.1 General Guidelines

(i) All of the usual guidelines for the installation of wood flooring must be followed.

- See Chapter 1, sections A, B and C. Site conditions, Acclimatisation and Moisture barriers and testing.
- See Chapter 2, Sub Floors
- See Chapters 3,4,5,6,7,8,9,10,11 and 12 for guidelines on installation relevant to the flooring type.

(ii) Only engineered wood floors should be installed with UFH systems.

13.2 General additional Guidelines for UFH Wood Floor Installations

(i) UFH systems generally fall into one of 2 categories:

- Hot-water pipe systems
- Electric foil, mat or cable systems.

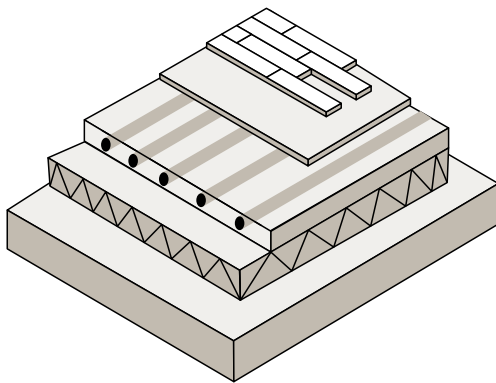


Fig 1: Hot-water pipe UFH systems

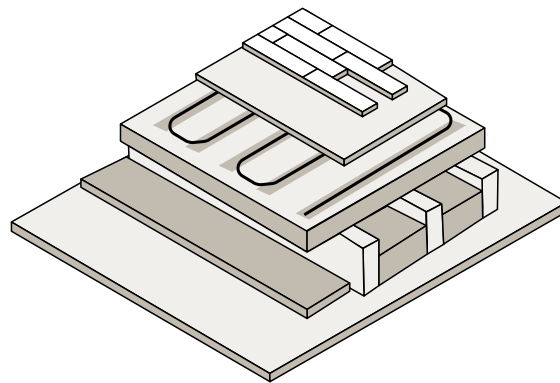


Fig 2: Electric foil, mat or cable UFH systems



Plank



Herringbone



Chevron



Circular design panel



Continuous patterns





GUIDELINES FOR: UNDERFLOOR HEATING (UFH)

(ii) All Ted Todd engineered floors are suitable for installations with UFH systems as long as the installation meets suitable criteria.

(iii) You must check with the manufacturer and installer of the UFH system to ensure that the design of the system, with regard to the layout of the heating pipes or elements and the associated control systems, can be properly controlled to ensure the maximum temperature of the timber floor (at any point) will not exceed 27°C.

Underfloor Heating should not be the main source of heating, it should be ambient only.

For water systems this is easily achieved by adjusting the flow-control valves regulator to a maximum water temperature that is commensurate with a floor temperature of 27°C. (Normally the maximum water flow temperature should not exceed 35°C to achieve this)

For electric systems you will also need to set up the system, so it is impossible for the floor temperature to exceed 27°C.

Please note that the 27°C is across the whole floor and it is common for poorly installed systems to have hot spots. The calibration of both water and electric systems needs to be measured against the hottest areas in the floor. The sub-floor construction must have a heat-distributing layer that gives an even temperature over the entire surface of the floor area, in order to prevent high temperatures in certain spots.

It is important that the manufacturer and installer of the UFH system understand the thickness of the Engineered flooring which

is top of the installation, so the UFH and its control systems can be designed accordingly.

Due regard must be given to the substrate between the UFH and the subfloor to which the wood floor layer will be attached.

Due regard must be given to the thermostats controlling each room area.

Best results will only be achieved with well insulated rooms and building structures.

(iv) The installer of the system should also ensure that, in the operating instructions for the system, it is highlighted for the heating system to be warmed up gradually when approaching cooler periods, or after the UFH has been switched off for any time.

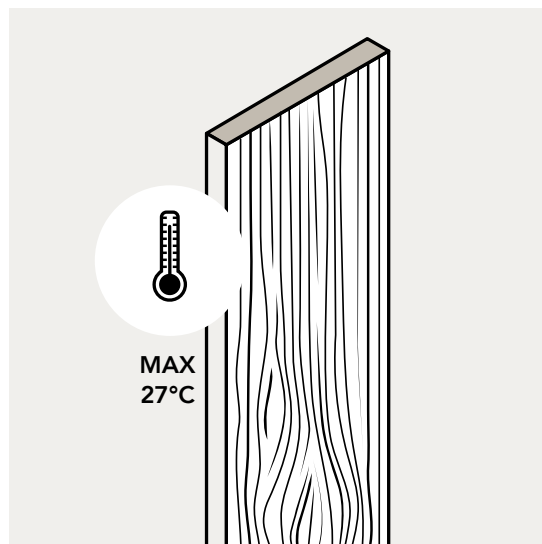


Fig 3: maximum temperature of the timber floor (at any point) should not exceed 27°C.



Plank



Herringbone



Chevron



Circular
design panel



Continuous
patterns



GUIDELINES FOR: UNDERFLOOR HEATING (UFH)

13.3 Notes about Wood Floor installations methods:

The preferred and recommended method for installing all Ted Todd engineered floors (T&G floors, Parquet, Patterns and Panels) is to fully bond (glue down) to the screed layer above the UFH system with a single coat of Ted Todd Primerfast and Ted Todd MS Flex adhesive.

Planks with either T&G or a click joining system may also be or floated over a suitable underlay, such as Ted Todd Green or Ted Todd Yellow. (Parquet, Patterns and Panels must not be floated. They must be fully bonded).

13.4 Acclimatisation.

Please note that most Ted Todd engineered floors are supplied with a moisture content (MC) of between 8% - 10%. After a period of time under a UFH installation, the MC of the wood may drop to 6%-8% or lower. This could cause some shrinkage in the floorboards. Similarly, if the UFH system is switched off after installation (such as in the summer) the M/C of the floorboards may rise again causing some width expansion. For this reason, the MC of the wood floor must be carefully checked before installation and if necessary, extra acclimatisation should take place. Similarly, allowance should be considered for some expansion of the wood in case the heating system is switched off and the site's humidity rises again.

13.5 Monitoring.

Ted Todd recommend that all installations of Ted Todd wood floors over UFH systems be accompanied by the installation of the Ted Todd Fidbox monitoring system.

The Fidbox allows the performance of the UFH system to be recorded by monitoring and recording the temperature and humidity from within the wood floor and over the sub-floor.

This in turn allows the UFH system controls to be adjusted and optimised.

Additionally, extra monitoring may be made using hand-held infra-red temperature gauges and / or heat images using an infra-red camera.

The maximum surface temperature on the top of the wood floor should not exceed 27°C. at any point in the installation.

Check for hot spots as the calibration needs to be measured against the hottest areas.

Qualitative observations should also be made of the condition of the wood floor in the early weeks after installation. This can include:

- Floor feels very warm or hot underfoot
- Cold areas and hot spots underfoot
- Boards losing colour if they dry out excessively
- Surface checks and splits appearing on some boards.



Plank



Herringbone



Chevron



Circular design panel



Continuous patterns





GUIDELINES FOR: UNDERFLOOR HEATING (UFH)

The above may be symptomatic of the master-regulator being set too high, in which case it should be reduced. The humidity of the air in the room should be checked and if too low, re-humidify. (Target = 45% to 65% Rh). In some cases additional heat sources may be needed in some room areas.

Do not lay thick rugs, mats or large items that will trap the heat over floors with under floor heating systems as this can cause excessive drying of the timber.

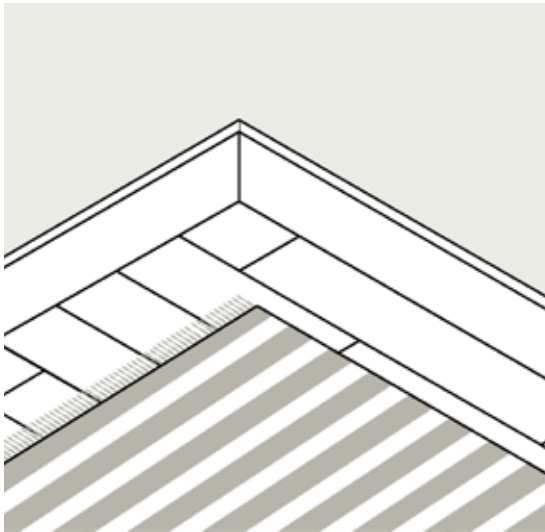


Fig 4: Laying thick rugs, mats or large items can lead to excessive drying of the timber.

13.5.1 Basic Guide to the Ted Todd Fidbox monitoring System

What is a Fidbox?

A Fidbox is a battery powered temperature and humidity measuring device that fits, rebated within the underside of a wooden floor. It logs the temperature and humidity measurements above and below the sensors over a six-year period. The readings can be taken wirelessly.

Why use a Fidbox?

Almost all problems with wooden floors come from temperature or humidity changes. The Fidbox shows a record of what has happened to a floor such as rising damp, too hot underfloor heating, washed floors, bad environmental conditions after fitting. The Fidbox records all these factors and allows you to understand what has happened and avoid future problems.

How do you read the data?

The data can be read using either a free iPhone or Android app.

How many Fidboxes are needed?

You need approximately 1 Fidbox per 50sqm. If you have large open areas this quantity can be reduced. Ask advice if you want to reduce the number used. A Fidbox should be installed over each underfloor heating circuit.



Plank



Herringbone



Chevron



Circular design panel



Continuous patterns





GUIDELINES FOR: UNDERFLOOR HEATING (UFH)

Where do you install?

Install throughout the project in the larger rooms. Install in areas that will not be covered by rugs or fitted furniture. A good place is 1.2m from a doorway.

How do you install?

The Fidbox comes ready to install. Simply make a small pocket routed out of the back of the floorboard 95mm x 55mm x 8mm leaving at least 3mm of timber remaining, and stick the Fidbox into the back of the board with the sticky pad provided. Avoid putting flooring adhesive directly below the Fidbox sensor.

What do you do after install?

Place the serial number sticker that came in the packaging on a site plan sketch or drawing and record the fidbox location. Good records of the serial number and its location aid future reading of the Fidbox.

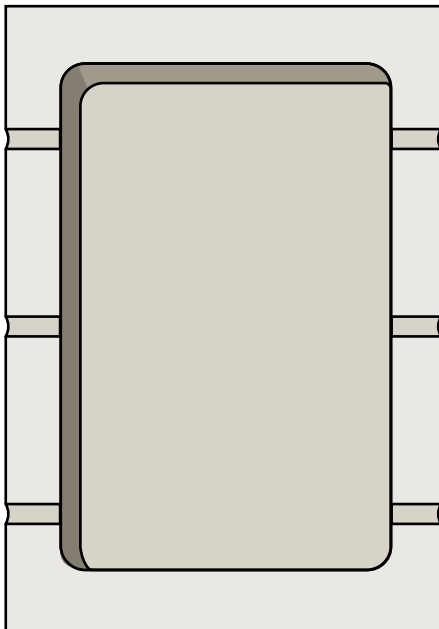


Fig 5: make a small pocket routed out of the back of the floorboard 95mm x 55mm x 8mm.

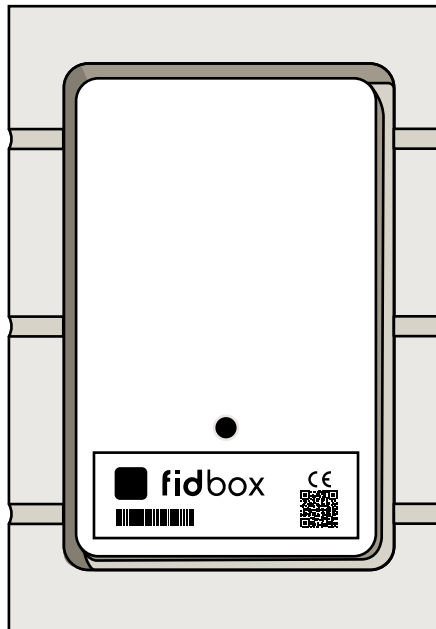


Fig 6: Affix the Fidbox into the back of the board with the sticky pad provided.



Plank



Herringbone



Chevron



Circular
design panel



Continuous
patterns





GUIDELINES FOR: UNDERFLOOR HEATING (UFH)

13.6 Guidelines specifically for Water-Fed Systems

The UFH installer must ensure that all services running beneath the floor have been fully tested and commissioned before laying starts.

(i) A typical set up for a water-fed UFH system is for a 150mm screed to be used and with the slow, radiant heating system being supplied by close-centred water pipes with a typical spacing of 150mm apart.

- The use of in-floor probes to control the maximum temperature is necessary.
- The water temperature must be regulated to a maximum of 35°C.

13.6.1 Testing the system prior to installing the wood floor:

Once the screed is dry as specified in Chapter 1C - Moisture Testing, and prior to installation follow the heat-up procedure as below.

Please note that this is to check that the system is working properly and to dry out the installation screed.

Under no circumstances should the system be run at these high temperatures once the wood flooring is installed.

- Day 1 - 20°C
- Day 2 - 30°C
- Day 3 - 40°C
- Day 4 - 50°C or the maximum planned operating temperature and maintained constantly for 7 days
- Day 12 - 40°C
- Day 13 - 30°C
- Day 14 - 30°C
- Day 15 – Switch off heating system.

Allow 4 days before a final moisture reading is taken.

If more than 7 days elapse between the last cooling down day and the start of laying the flooring, the UFH system should be run at minimum operating temperature for 2 days. The system should then be switched off for at least 4 days before a further moisture check is carried out prior to laying.

Once this has been completed and moisture checks agree with recommendations and your sub floor is suitable for glue down installation follow guidelines in Chapter 3 Fully Bonded (glue down) Installation. If your sub floor is not suitable for glue down installation, follow guidelines in Chapter 4, Floating Installation.

Do then follow the Monitoring guidelines as per section 13.5 above.



Plank



Herringbone



Chevron



Circular design panel



Continuous patterns





GUIDELINES FOR: UNDERFLOOR HEATING (UFH)

13.7 Guidelines specifically for Electric Systems

Some electric UFH systems are not suitable for installations with timber flooring, check with the manufacturer that the system will adhere to the general guidelines and is suitable for the type of wood floor being installed.

Issues are likely to occur with the wood floor installation if excessive temperatures are generated by electric UFH systems with too high output rating.

Always ensure that the electric UFH system has a cut-off to prevent the surface temperature of the wood flooring exceeding 27°C.

Do always follow the Monitoring guidelines as per section 13.5 above

13.8 Underfloor heating in just part of a continual floor area.

If the UFH is to be installed in just part of a continuous floor area, (e.g. in an open lounge-diner area with UFH just in the lounge area) it is important that the floor area is separated.

There needs to be a break between the heated area and the non-heated area. The use of a Ted Todd "T" section is ideal for this purpose.

This is to avoid any potential problems with differential expansion or shrinkage between the two areas.

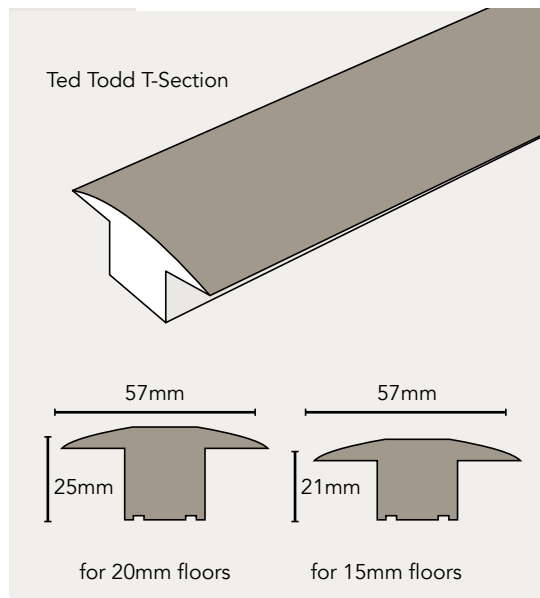


Fig 7: Use a Ted Todd T-section to break up heated and none-heated areas



Plank



Herringbone



Chevron



Circular design panel



Continuous patterns



GUIDELINES FOR: UNDERFLOOR HEATING (UFH)

13.9 Summary.

- (i) All of the usual guidelines for the installation of wood flooring must be followed.
- (ii) Do follow the guidelines for Monitoring and the use of the Ted Todd Fidbox (Section 10.5)
- (iii) Fully Bonded (Glue Down) installation method is always necessary with Parquet, Patterns and Panels, and is strongly recommended too with T&G Plank format wood flooring. Planks with T&G or Click format jointing may be considered for a floating installation.
- (iv) Allow for a slow warm-up of the UFH system and the surface temperature of the wood should not exceed 27°C in any area.
- (v) Ensure that all normal air temperature and humidity limits within the rooms are observed. (16 to 24°C and 45% to 65% Rh)



Plank



Herringbone



Chevron



*Circular
design panel*



*Continuous
patterns*



GUIDELINES FOR: UNDERFLOOR HEATING (UFH)

13.10 FAQ's

Is all of the above really necessary?

The success of a good wood floor installation depends upon many factors. In instances where things go wrong the problems will almost certainly be traceable back to failure to correctly follow some of the guidelines listed above. Even in apparently simple installation projects all of the above points must be checked to ensure compliance.

Why is 27°C important for the wood floor?

Experience has shown that above this temperature, especially if heated up quickly, the wood floor can be damaged as it can dry out too much or too quickly. Drying out too quickly or too much can cause distortion, splits and cracks in the wood floor.

Isn't wood a reasonably good insulator for heat? If so, how will it conduct the UFH heat into the room?

Any UFH system needs to be designed specifically to accommodate wood flooring. UFH is designed to provide a "slow" background heat only. It will take time to warm up and start to radiate heat from the UFH system.

Can I use a rug over my wood floor with UFH?

This is generally not recommended as it may cause a build up of heat in the wood under the rug. If necessary use a thin rug, it is important to monitor the temperature of the wood below the rug to ensure that it doesn't exceed 27°C.

Why is it preferred to Fully Bond a T&G plank floor. Can it be floated?

Wood floors move naturally with changes in temperature and especially with changes in moisture. Over a UFH system, the wood floor may be exposed to more changes in temperature and humidity and therefore more movement through drying out. In a Fully Bonded (glued down) floor, each plank is glued down individually and so is free to move individually. Any slight shrinkage due to the change of moisture can result in small gaps between each of the planks. These gaps should be barely noticeable.

In a floating installation of planks, where the T&G are glued together, any expansion and shrinkage of individual planks will have an effect on the whole glued-together floor and the floor will tend to move as a whole. This can put extra pressure on individual T&G joints which, in the unlikely event of the T&G joint not being fully glued, could result large gapping. This rarely a problem in smaller rooms.



Plank



Herringbone



Chevron

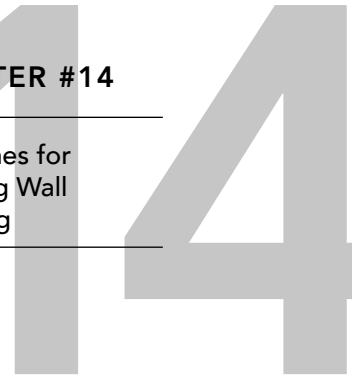


Circular design panel



Continuous patterns





INSTALLATION OF: WALL CLADDING

Ted Todd flooring products are often suitable for use as wall cladding.

Here are some broad installation guidelines to help you.

IMPORTANT: Do check the building regulations for the property where the cladding is being installed to ensure that any relevant fire-safety standards are complied with, and that the installation method is also compatible with those standards.

14.1 Site conditions

As with wood flooring installations, similar site conditions and installation disciplines must be followed.

14.1.1 Site conditions.

- Ideal temperature range 16 to 24°C
- Room humidity levels at 45% to 65% Rh.
- See Wood Flooring installation guidelines Chapters 1A, 1B and 1C for more details on site conditions.

14.1.2 Acclimatisation.

- The wall cladding components should be acclimatised to the installation rooms for 3 days before installation.
- See Wood Flooring Installation Guidelines Chapter 1B for more details.

14.1.3 Clean, Dry and Flat

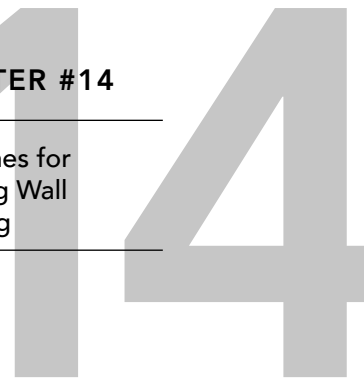
- The walls to be clad should be sound, clean of any loose material, and should be dry and flat.
- See Wood Flooring installation guidelines Chapter 1C for guidelines on moisture testing.
- Concrete or plaster walls should be no more than 2% MC.
- If the wood cladding is being applied over a wood-panel structure or battens, there should be no more than 12% MC and should be no more than +/- 2% Moisture Content difference to the to the wood surface beneath.
- If the moisture levels are too high, then allow more time to dry out (increase ventilation and / or reduce the humidity in the room through heating or dehumidifying) or consider an appropriate moisture barrier.



Wall
Cladding



Herringbone
Cladding



INSTALLATION OF: WALL CLADDING

14.2 Setting out and planning the design.

Decide upon the installation method of the wall cladding. There are 2 main methods:

- Fully-bond to the wall using Ted Todd MS Flex adhesive.
 - Pin, screw or secret-nail the cladding to the wall, or to battens, typically at 600mm centres.
 - Decide upon the pattern or design for the wall cladding. Cladding may be installed vertically, horizontally or in any suitable pattern such as diagonally or herringbone.
 - Do plan on how to deal with any fixtures on the existing wall, such as light switches, light fittings or power sockets.
 - Do plan how the cladding will be finished at the floor, ceiling and corners of the walls being clad. Remember the floor, ceilings, walls and corners will probably not be perfectly aligned.
- Do plan to use Ted Todd profiles, such as skirtings, angle pieces and scotia etc to trim any uneven gaps.
 - Remember to plan for a 15mm expansion gap at either side of the cladding from the width orientation. (e.g. a 15mm gap each side vertically for a vertical installation)
 - Do check with the end-user of the finished installation that the correct cladding has been delivered, that the end-user is happy with the visual appearance and that if any visible features such as knots, colour variance etc are to be included or excluded. If in doubt do not start the installation.
 - Remember to order an extra 5% for normal natural grading and cutting allowance. If installing cladding at an angle or other pattern, then allow an extra 10% or more for cutting losses.



Wall
Cladding



Herringbone
Cladding



INSTALLATION OF: WALL CLADDING

14.3 Getting started.

Once the design is agreed, the site conditions are correct, and the walls are suitably clean, dry and flat, it is possible to start the installation.

Decide the starting point for the installation. It may be appropriate to start from a corner, or from the middle of the wall. Consider how to make the pattern balance and how the last row or column can be fitted without leaving a too-narrow gap to fill by width-trimming the last cladding boards.

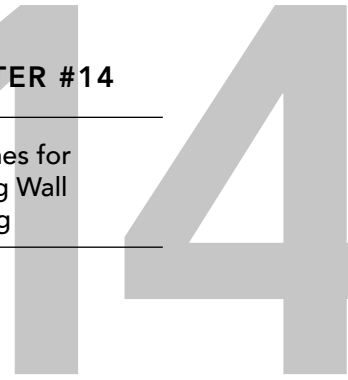
- either snap a vertical chalk line to work from or use a laser guide to start the first row. Check each row or column as you go to ensure the installation is either vertical or horizontal.
- If using T&G floorboards as cladding, it may be necessary to use a knocking-block (a piece of offcut can be ideal) so that the T&G can be closed up properly.
- For horizontal installations, install the cladding with the grooved edge downwards, and the tongue on the upper edge.
- For vertical installations, plan for the grooved edge to face the adjacent starting wall.
- If the floor below the cladding is not straight and level, use a scribing tool to shape the bottom row (horizontal installation).
- If the adjacent walls are not straight, use a scribing tool to shape the edge of the first and last rows (vertical installations).
- Consider cutting the back side of the top edge boards at a 20-degree angle when installing at the ceiling or adjacent wall to allow a snug fit.
- It may benefit to work to a chalk line, or laser line to ensure that the first row is horizontal or vertical, as required.
- Whilst installing the cladding, remember to work and select planks from 3 or 4 packs at a time to ensure a good visual mix of colour and natural features.
- Some of the cladding boards may need to be cut to length. For random lengths installations it might be appropriate to use the offcut from one row as the starting piece for the next row.
- Consider the pattern as you build up the cladding to avoid uneven "H" joints.
- If the installation is to cover multiple adjacent walls, use an accurately-cut 45-degree mitre to join the cladding.



Wall
Cladding



Herringbone
Cladding



INSTALLATION OF: WALL CLADDING

14.4 Fully Bonding your Wall Cladding. Applies to 10mm to 21mm thickness.

The preferred recommended method for installation of Ted Todd wall cladding, if the wall is suitable for this, is to fully bond the cladding to the wall using **Ted Todd MS Flex adhesive**.

For a successful installation the wall needs to be clean, dry and flat. There should be no sharp differences of more than 4mm in any 300mm flatness of wall. The maximum deviation is +/-5mm from a 2m straight edge with equal offsets, horizontally and vertically, for all wall and ceiling surfaces.

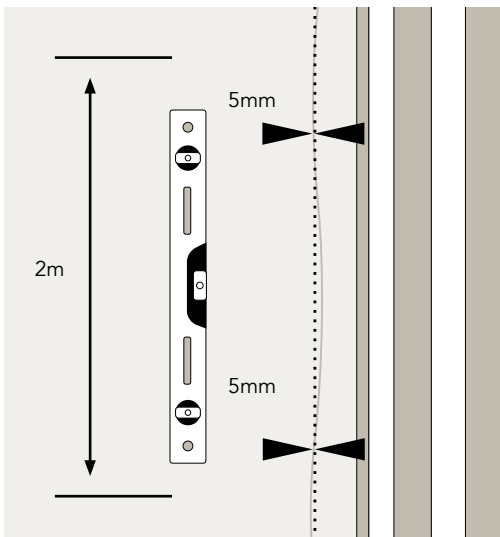


Figure 1: There should be no sharp differences of more than 4mm in any 300mm flatness of wall

- When all site conditions have been correctly met, then start the installation.
- The Ted Todd MS Flex adhesive should be applied to the back face of the cladding boards using a notched trowel, of a notch size as specified by the adhesive manufacturer. (usually 3mm or 5mm). Always make a check to ensure that the back of the cladding boards receive complete coverage of adhesive by lifting an occasional board.
- Do ensure that the first row is securely supported during the installation, to prevent it falling off the wall. The first row can be glued to the wall and, properly supported, left to allow the adhesive to dry before continuing the installation. Or the first row can be secured by invisible nailing, pinning or screwing to the wall.
- Be sure to work within the "open time" of the adhesive. Clean off any excess adhesive from the wall and the face of the cladding before it sets.
- Do not glue the T&G together.
- Once the glue-down part of the installation is complete, allow the adhesive to dry fully and apply the finishing profiles.



Wall
Cladding



Herringbone
Cladding

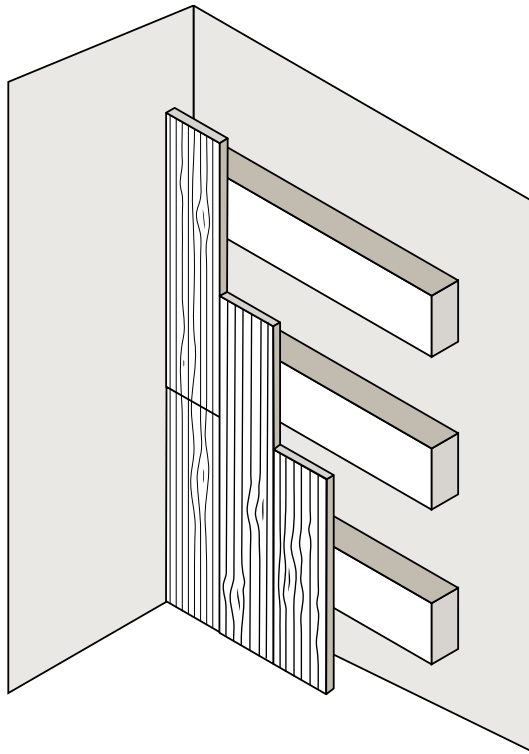


INSTALLATION OF: WALL CLADDING

14.5 Mechanically fixing the cladding to the wall, using pins, nails or screws.

- Decide upon the best method of fixing the cladding to the wall. It may be possible to nail the cladding boards directly into the wall, or it may be more appropriate to screw battens (typically 30mm width x 16mm thickness) to the wall at 600mm centres and secure the cladding to the battens. The battens must be installed at 90 degrees to the direction of the cladding boards. (e.g. a vertical cladding installation will require any battens to be fixed horizontally).
- Once all site conditions have been met, then start the installation.
- Check that the nails are of an appropriate length to be "secret-nailed" through the tongue of the cladding and into the battens or wall.
- If the cladding is made from a solid wood, then it may be necessary to drill pilot holes, at a 45-degree angle, to prevent the wood from splitting.
- Use brads or small finishing nails to secure the starter row. Apply these approx. 40mm from the ends of each board and at every batten or, if nailing directly into the wall at 150mm intervals.
- The final rows may need to be fastened manually (not with a Power-Nailer) by "secret nailing" at a 45-degree angle through the tongue. The final pieces may need to be face-nailed.
- Finish off the installation by the application of appropriate Ted Todd profiles.

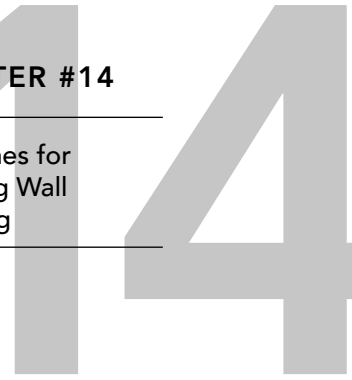
Figure 2 (right): The battens must be installed at 90 degrees to the direction of the cladding boards.



Wall
Cladding



Herringbone
Cladding



INSTALLATION OF: WALL CLADDING

14.6 Summary

- Check and observe all normal conditions for wood floor installations.
- Site conditions, humidity and temperature factors all apply to cladding installations too.
- Plan your design well ahead and consider the finishing details such as light switches, corners, the use of profiles etc.

14.7 FAQ's

Is all of the above really necessary?

The success of a good wood cladding installation depends upon many factors. In instances where things go wrong, the problems will almost certainly be traceable back to failure to correctly follow some of the guidelines listed above. Even in apparently simple installation projects all of the above points must be checked to ensure compliance.

Why is the Fire Rating so important?

When wood is installed in a vertical aspect, as opposed to wood flooring, it is more susceptible to propagating fire. This is especially true if there is any air gap behind the wood cladding. Do take the relevant Buildings Standards seriously.

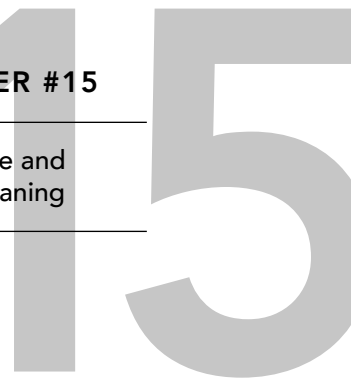


Wall
Cladding



Herringbone
Cladding





GUIDELINES FOR: FLOOR CARE & DEEP CLEANING

15.1 General Guidelines.

Your Ted Todd real wood floor can last for generations if regularly looked after, following the guidelines as below.

- Always remember that excessive moisture and grit are potentially damaging to a wood floor.
- Barrier mats in doorways, inside and outside, can help prevent the ingress of dirt and grit.
- On a daily or weekly basis, a soft brush or suitable vacuum cleaner is the most suitable way to remove surface dust and debris from your floor.
- Never use a steam cleaner, scouring pads or any abrasive cleaners on your floor. They can often damage the floor.
- Always use the recommended Ted Todd Care System products.
- Do protect your floor by using felt pads under furniture legs. Do use suitable plastic mats or soft castors under moveable furniture.

15.2 Ted Todd Care Systems.

- Please use the Care System based on your floor's finish and with a little bit of effort, your floor will appreciate the care throughout the years.
- Ted Todd has 4 Care Systems.
- Details for each of these are available, with excellent instructional videos, online at the following Ted Todd webpage:

<https://www.tedtodd.co.uk/guides/floor-care/>



Plank



Herringbone



Chevron

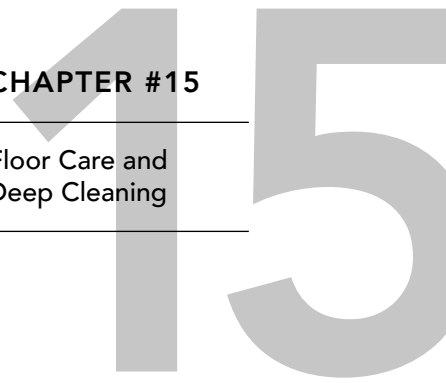


Circular design panel



Continuous patterns





GUIDELINES FOR: FLOOR CARE & DEEP CLEANING



Care Systems 1 and 3 are for LACQUER BASED FINISHES

This includes:

Lacquers, Hardened Oils, Oilwood Traffic, Naked Skin Lacquers, UV Oils, Fire Proof Lacquers, Anti Slip Lacquers.

Care System 3 is specifically for white-toned lacquer-based floors.

Care Systems 2 and 4 are for OILED BASED FINISHES

This includes:

Hardwax Oils, Natural Oils, Restoration Oils, Organic Oils.

Care System 4 is specifically for white-toned oil-based floors.



Plank



Herringbone



Chevron



Circular design panel



Continuous patterns

Ted Todd Floor Care Systems are also suitable for Woodworks by Ted Todd Floors.





GUIDELINES FOR: FLOOR CARE & DEEP CLEANING

15.3 Basic procedures for Ted Todd Care Systems 1 and 3 (Lacquer-based finishes)

- Sweep the floor with a soft broom, or vacuum cleaner to remove any dust or grit. (This should be a daily or weekly procedure)
- Clean the floor with Floor Care Easy Clean, diluted with water and applied using a spray bottle. Spray the floor and using a microfibre mop pad clean the floor. Work into any stubborn marks with a damp cloth. Remove any excess dampness with a dry mop or cloth and allow to dry before walking on the floor. (This should be a weekly or monthly procedure)
- For added protection, use Floor Care Polish after cleaning, as above. (This should be carried out 3 or 4 times per year, depending upon foot-traffic.)
- We recommend using 2 coats of Floor Care Polish immediately after the initial floor installation to give instant protection against scuffs and scratches.
- To apply, fill a different spray bottle with 10% Floor Care Polish diluted with 90% water, shake the mixture well and, starting in one corner of the room apply the solution and work into the floor with a different microfibre mop pad. Once dry, buff with a clean, dry microfibre mop pad.
- For high-traffic areas, use Floor Care Intensive Polish. This can be applied the same way, applied either diluted or neat.

15.4 Basic procedures for Ted Todd Care Systems 2 and 4 (Oil-based finishes).

- Sweep the floor with a soft broom, or vacuum cleaner to remove any dust or grit. (This should be a daily or weekly procedure)
- Clean the floor with Floor Care Soft Clean, diluted with water and applied using a spray bottle. Spray the floor and using a microfibre mop pad clean the floor. Work into any stubborn marks with a damp cloth. Remove any excess dampness with a dry mop or cloth and allow to dry before walking on the floor. (This should be a weekly or monthly procedure)
- Floor Care Soft Clean gets rid of spills and stains and leaves the floor with a fresh fragrance.
- If your floor requires a deep clean, use Floor Care Intensive Clean. (Only use this if you intend to re-oil your floor). To apply this, you will need 2 buckets. Bucket one with a few capfuls of Intensive Clean, and bucket 2 with clean water for mop rinsing. Increase the amount of Intensive Clean if a deeper clean is required. Once the floor is dry, apply Floor Care Oil Replenish.
- Floor Care Oil Replenish can be applied neat, either by hand with a cloth, or with an applicator pad. Apply Oil Replenish and allow to dry for 2 hours.



Plank



Herringbone



Chevron



Circular design panel



Continuous patterns





GUIDELINES FOR: FLOOR CARE & DEEP CLEANING

- For white-oiled floors use Floor Care Oil Replenish White.
- Remember to wear protective gloves when working with Floor Care products.

Summary:

- Use Floor Care Soft Clean as little or often as you like,
- Use Floor Care Intensive Clean when a deep clean is required,
- Follow up with Floor Care Oil Replenish after using Intensive Clean.

15.5 Video and detailed instructions.

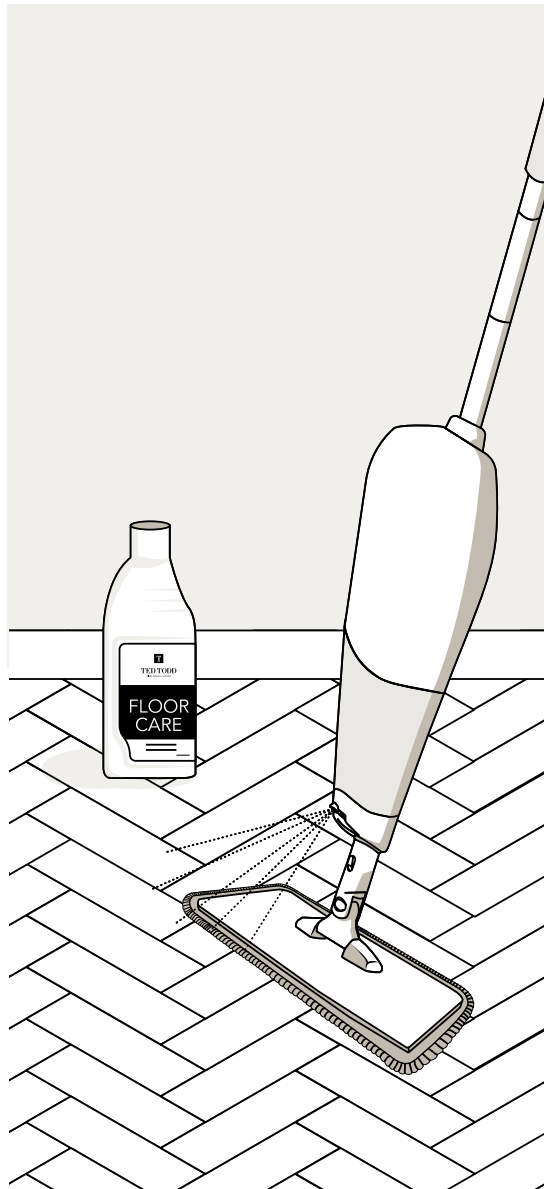
These are available on Ted Todd’s website at

<https://www.tedtodd.co.uk/guides/floor-care/>

There are also links on the above site page to enable you to order Ted Todd Floor Care products online, or to find your nearest stockist of Ted Todd Floor Care products.

15.6 Woodworks floors.

The Ted Todd Floor Care Systems are also suitable for Woodworks floors.



Plank



Herringbone



Chevron

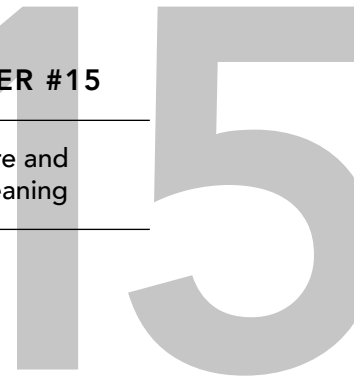


Circular design panel



Continuous patterns





GUIDELINES FOR: FLOOR CARE & DEEP CLEANING

15.7 Cleaning Schedule for Flooring Installations. Care System 1 & 3 for UV Lacquer, Hardened Oil, UV Oil and Oil Wood Traffic

FREQUENCY	PROCESS	PRODUCT	STOCK CODE
After installation & before handover	Hoover and clean	Floor Care Easy Clean	1ltr ACCM&R03 5ltr ACCM&R10
Weekly or as required	Clean	Floor Care Easy Clean	1ltr ACCM&R03 5ltr ACCM&R10
6 Monthly	Clean	Floor Care Easy Clean	1ltr ACCM&R03 5ltr ACCM&R10
	Protect	Floor care intensive maintenance	Matt 1ltr ACCM&R05 5ltr ACCM&R12 Gloss 1ltr ACCM&R31 5ltr ACCM&R32
As required	Protect	Floor Care Polish Care System 1	1ltr ACCM&R04 5ltr ACCM&R11
	Protect	Floor Care Polish Care System 3 <small>(white-toned lacquer-based floors)</small>	1ltr ACCM\R40 5ltr ACCM\R41
Yearly, or as required	Remove built-up polish	Floor Care Polish Remover	1ltr ACCM&R06
	Clean	Floor Care Easy Clean	1ltr ACCM&R03 5ltr ACCM&R10
	Protect	Floor care intensive maintenance	Matt 1ltr ACCM&R05 5ltr ACCM&R12 Gloss 1ltr ACCM&R31 5ltr ACCM&R32



Plank



Herringbone



Chevron

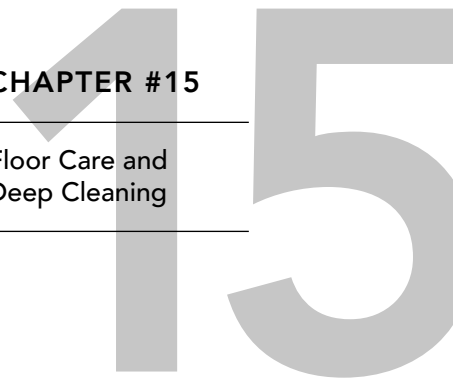


Circular design panel



Continuous patterns





GUIDELINES FOR: FLOOR CARE & DEEP CLEANING

**12.8 Care System 2 & 4 Natural Oil, Hard
Wax Oils and Restoration Oil finishes**

FREQUENCY	PROCESS	PRODUCT	STOCK CODE
After installation and before handover	Hoover and clean	Floor Care Soft Clean	1ltr ACCM&R07 5ltr ACCM&R13
	Clean White Oiled	Floor Care Soft Clean white	1ltr ACCM&R18
Weekly or as required	Clean	Floor Care Soft Clean	1ltr ACCM&R07 5ltr ACCM&R13
	Clean White Oiled	Floor Care Soft Clean white	1ltr ACCM&R18
Bi-yearly or as required	Deep Clean	Floor Care Intensive Clean	1ltr ACCM&R09 5ltr ACCM&R15
	Protect / Replenish	Floor Care Oil Replenish	Matt 1ltr ACCM&R08 5ltr ACCM&R14



Plank



Herringbone



Chevron



Circular
design panel



Continuous
patterns





GUIDELINES FOR: RESEALING & OVERCOATING

16.1 General Guidelines.

Your Ted Todd real wood floor can last for generations if regularly looked after, following the care systems out lined in Chapter 12.

If the point comes where the lacquer-based surface finish of the floor is very scuffed or too clogged to be realistically cleaned with the Care Systems, then a Reseal maybe necessary.

This will involve lightly abrading the surface finish back, just to the wood surface, and reapplication of new lacquer.

It is recommended that a professional floor-buffing machine be used to abrade the surface to remove the old lacquer.

Please consider that if there is damage to the wood, such as large dents or scratches that have affected the surface of the wood, visible wear, cupping, crowning, or discoloration, you may need to sand the floor down before you can restore the finish. If you apply new finish over old dents and scratches that are in the wood, they could become more noticeable.

The resealing process will generate dust. So do wear a dust mask, take frequent breaks to vacuum the dust and keep doors closed to stop the dust migrating elsewhere inside the building.

16.2 Initial steps.

- Decide upon which lacquer system to use for the resealing.
- Remove all furniture, vacuum or sweep the floor to remove any dust or grit.
- Clean the floor with Ted Todd Floor Care Easy Clean.
- Allow the floor to dry.



Figure 1: Use the floor kit specifically created for the finish of your floor for cleaning solutions.



Plank



Herringbone



Chevron



Circular
design panel



Continuous
patterns

GUIDELINES FOR: RESEALING & OVERCOATING

16.3 Start the abrading process.

- Working around the edges of the room, hand-sand away the lacquer from the surface of the floor using 180 grit sandpaper. Typically work this out to about 10cm away from the skirting. This should also include any corners or nooks where the buffer machine will not be able to reach. Do not use a hard sanding block as this will not allow the sandpaper to penetrate the natural shape of the wood surface. Clean up the dust.
- Following the instructions for the buffing machine, use a dark-coloured fibre buffing pad, one which is sufficiently abrasive to remove the surface lacquer without damaging the wood floor surface.
- Move the buffer from side to side across the floor in the direction of the grain, overlapping each course by about 15cm. The old finish turns to powder as you go, so it's easy to see the areas you've covered. Keep the buffer moving at all times when running but stop every five minutes or so and vacuum the pad.
- Keep going, as above until the whole room floor is abraded.

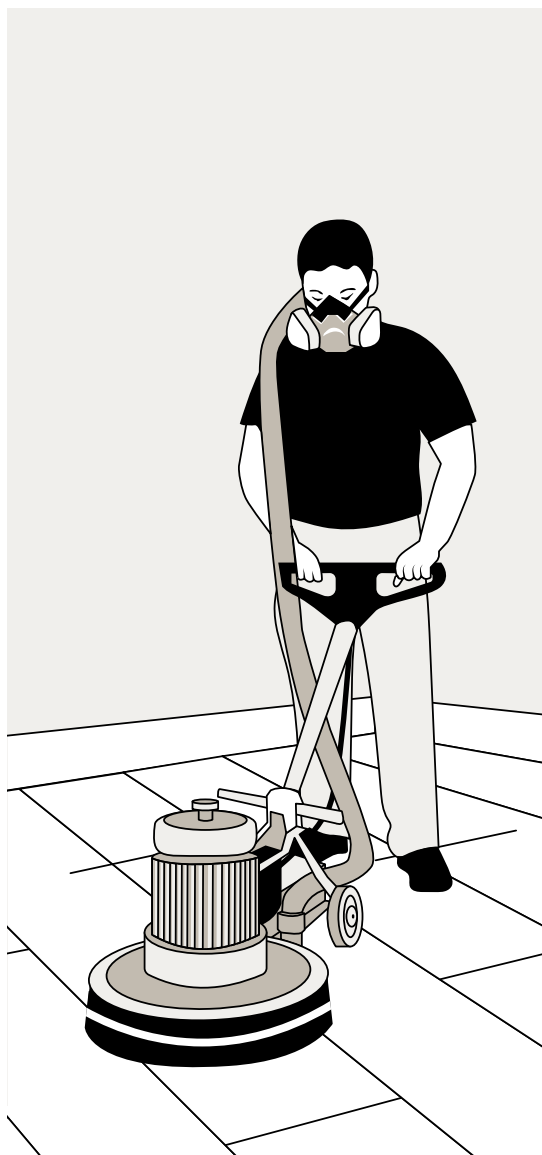


Figure 2: It is recommended that a professional floor-buffing machine be used to abrade the surface to remove the old lacquer.



Plank



Herringbone



Chevron



Circular design panel



Continuous patterns



GUIDELINES FOR: RESEALING & OVERCOATING

16.4 Cleaning up.

- Vacuum the floor to remove the abraded dust.
- Check to ensure that no areas or small dents have been missed.
- Always clean with the grain and pay attention to any gaps or bevels between the boards.
- Finally, dry tack the floor with a microfibre cloth along the grain direction and check that all of the dust has been removed, including from any joints or bevels.

16.5 Applying the new floor finish.

- Always follow the instructions supplied with your chosen floor lacquer for detailed application methods.
- The method of application will broadly follow the guidelines as below.
- Wear protective overshoes to prevent contaminating the prepared floor.
- Decide where to start the main lacquering application. This will normally be the far corner, opposite the entrance to the room. Work backwards so that you don't stand on the newly-lacquered floor.
- Start around the far edge of the room and apply the lacquer by hand with a brush covering the floor from the edge of the room to about 10cm away.
- To avoid the lacquer drying out at the edges before the main floor area can be covered, restrict the length of edge that is hand-lacquered at any point in time.

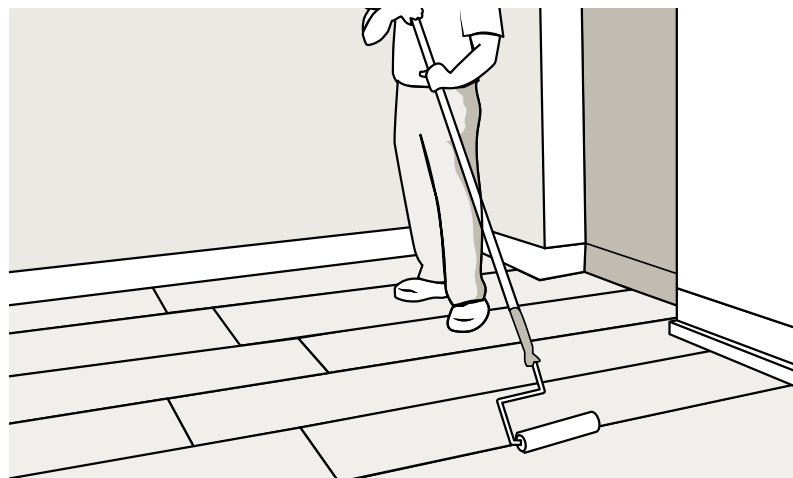


Figure 3: The main application of the lacquer should be with a long-handled roller.



Plank



Herringbone



Chevron



Circular design panel



Continuous patterns



GUIDELINES FOR: RESEALING & OVERCOATING

- This also applies to any tight corners or small alcoves where it could be difficult to apply lacquer with a roller.
- The main application of the lacquer will be with a long-handled roller. Lacquer should be poured onto the floor in a line about 2 cm wide, in line with the grain, applying only enough lacquer to allow spreading for up to 10 minutes. This is to ensure that the lacquer doesn't dry out before the adjacent areas are covered.
- Using the roller, the applied lacquer should be rolled out initially with the grain of the floor and then across the grain.
- Repeat the above, allowing a good overlap between each pass and work quickly to keep a wet edge to the lacquer.
- Check the instructions for the chosen lacquer to see how many coats will be required, what the drying time should be in between coats and whether any buffing or denibbing is required between coats.
- Allow the recommended drying time, and check that the new lacquer has properly hardened before walking on or moving furniture etc. back into the room.
- Do maintain the correct cleaning and care regime for your newly refurbished floor!

16.6 FAQ's

Can I do this myself?

This process can be undertaken by a skilled DIY'er or skilled tradesperson.

But if in doubt do call in a professional, reputable flooring contractor who can advise on the best method for your individual floor. The professional contractor will do the job more quickly, will have the correct tools, will make less mess and will probably do a better job.

Is Resealing the same as a full sand and reseal?

No. A full sanding of the floor will actually sand away a layer (usually around 1mm) of the top layer of wood (the wear layer). This will require very specialist, accurate wood floor sanding machinery. This process will also significantly alter the appearance of the floor as it will change the depth of the bevel at the joints of the planks.



Plank



Herringbone



Chevron



Circular
design panel



Continuous
patterns

